

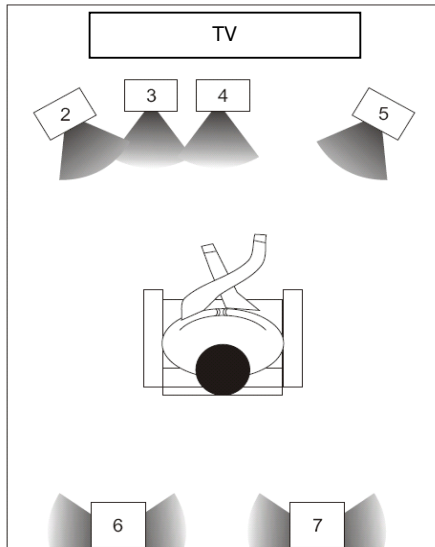


Lenco®

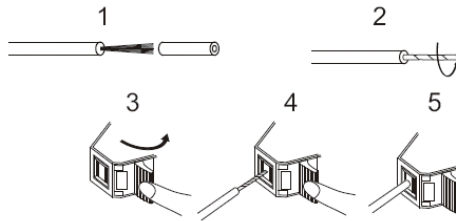
QUICK-GUIDE DVD-517 H

Preparation / installation:

Connect the loudspeakers to the speaker connectors as shown on image 1 - 5.
For optimal results position the loudspeakers as shown on the image below.
Use a SCART cable for easy connecting your TV.



nr.	speaker type	connector
2	front/main left	FL
3	subwoofer	SW
4	center	CEN
5	front/main right	FR
6	surround left	SL
7	surround right	SR

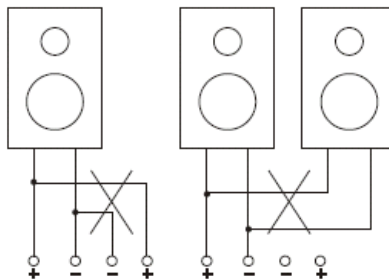


1. Peel off approximately 1/2 of cable insulation
2. Tighten the wire end
3. Open cable terminal by pressing back on tab
4. Insert wire end into terminal (use grey wire for the red connector and grey/black wire for the black connector)
5. Release tab; make sure wire is in terminal securely



AVOID SHORT CIRCUIT !

DO NOT CONNECT SPEAKERS AS SEEN BELOW



Basic operation:

Sound Source Selection:
On the remote press TUNER, DVD or AUX

Automatic Tuning:

1. Press "tuner" button on the remote
2. Press the "auto" button, automatic tuning mode is activated
3. When a station is stored, the memory storage number, as well as the station's frequency, will flash for four seconds in the display
4. When the total number of stations reaches 40, no further station in that wave band will be saved

Select Preset Stations:

1. Press "tuner" button on the remote
2. Press "Pres/Tune" button
3. Press any of the numbered buttons to select the desired station's memory number
You can also use the CH + / - buttons to select Preset Stations

Playing a DVD/CD:

1. Press "DVD" button on the remote
2. Press "Open/Close" button (on the unit or remote)
3. Insert a DVD/CD disc with the label facing upwards
4. Press "Open/Close" button again, tray will close
5. Once the disc is read, the unit will automatically start playback

Please refer to the manual for a more detailed description of how to operate the unit or how to setup the unit to your personal taste.