

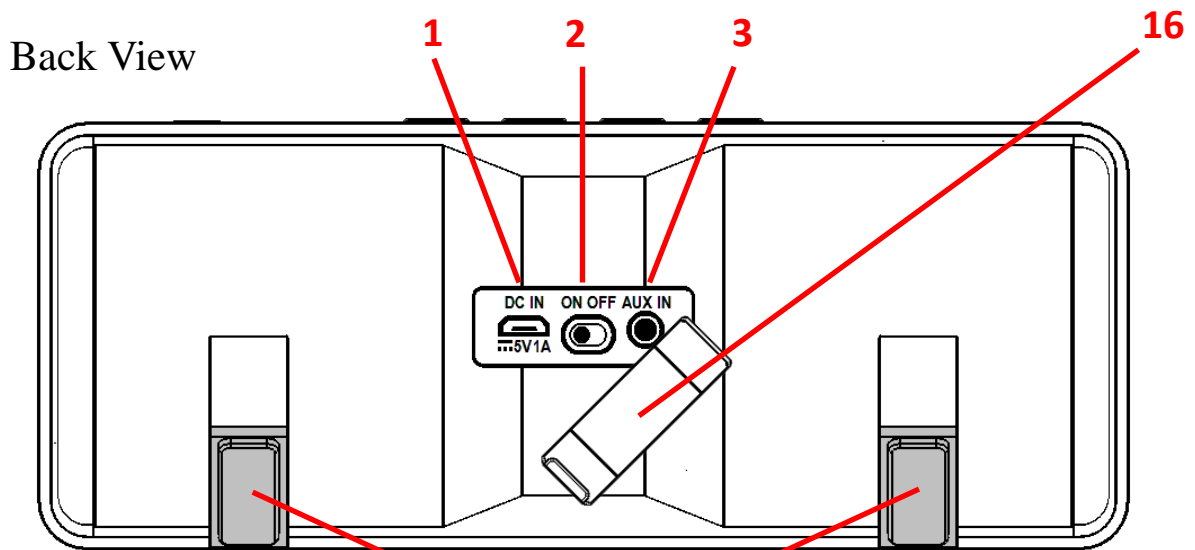
Lenco

Boost-4

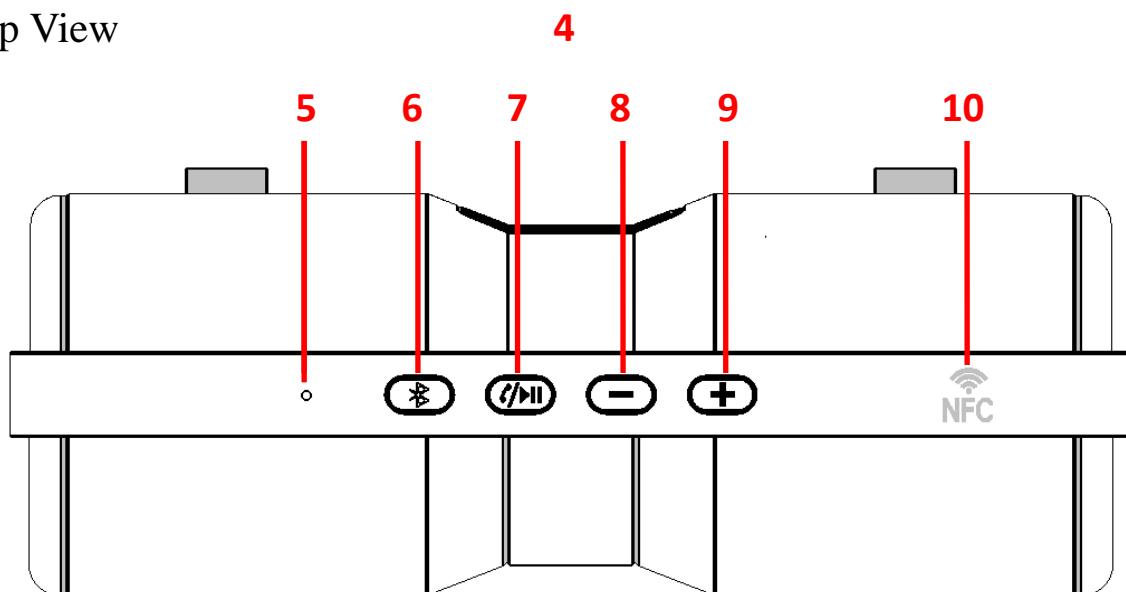
Quick Guide

For information and support: www.lenco.eu

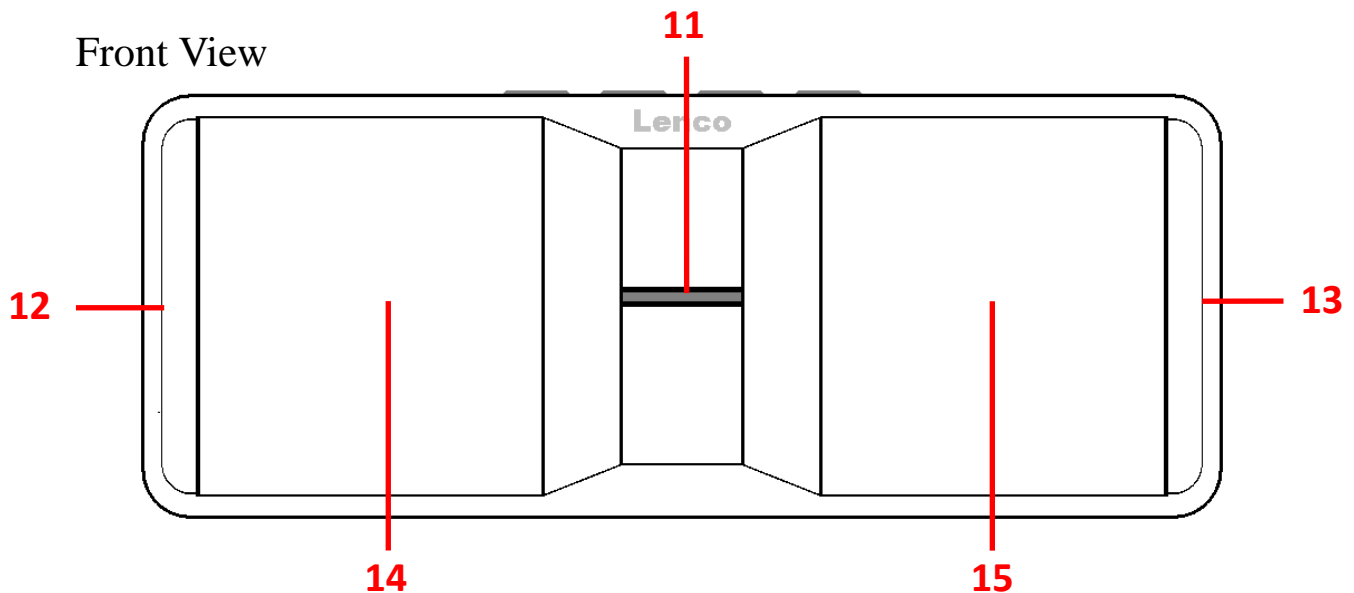
1. Controls and Connections



Top View



Front View



Item	Description
1	Micro USB socket (DC Input: DC 5V 1A)
2	Power Switch ON – OFF
3	AUX IN (3.5mm Jack, Stereo)
4	Foot Stand
5	MIC Position (for hand-free)
6	🔊 Button (for Bluetooth Searching)
7	▶/⏸ Button (Play/Pause, Pick up/Hang up call/Last dialed, AUX)
8	– Button (Volume down, Previous track)
9	+ Button (Volume up, Next track)
10	NFC Sensor Position (for Bluetooth pair)
11	Mode LED (3 in 1; Charge-Red, Bluetooth-Blue, AUX IN-Green)
12	Left Bass Radiator (Passive Speaker)
13	Right Bass Radiator (Passive Speaker)
14	Left Speaker
15	Right Speaker
16	Rubber Seal Cover (for splash-proof)

2. Charging the built in battery

- Use only original USB cable to perform charging function.
- Connect the Bluetooth Speaker’s “**Micro USB socket (1)**” with the USB power charger which able to provides output at least DC 5V 1A for charge connection via the USB cable. Or,
- Connect the Bluetooth Speaker’s “**Micro USB socket (1)**” with the Computer’s USB port which is USB 3.0 standard.
- The “**Charge (11)**” LED will turn On in red, the battery is in charging.
- The “**Charge (11)**” LED will turn Off when the rechargeable battery is fully charged.

Important:

- *Only use charge function if you connected the Bluetooth Speaker to USB 2.0 port of the computer. (it need longer time to charge the battery fully)*
- *The Bluetooth Speaker may works unstable if you use USB 2.0 port of computer for charging and music playing function together. Use USB 3.0 port to instead in this case.*

3. Pair and Play from a Bluetooth device

- Slide the “**Power Switch (2)**” to “**ON**” position to turn On the device, the Bluetooth searching / reconnect function are open;
- A series of tones will sound and the “**Bluetooth (11)**” LED is fast blinking in blue.
- Then, activate the Bluetooth function in your Bluetooth device (such as Mobile Phone or Personal Computer); the device will enter to Bluetooth searching mode automatically, if not, tap the relate selection to manually enter to searching mode. (refer to your device’s manual when necessary)
- Your Bluetooth device should show “**Lenco Boost-4**” in list, and then select it for pairing. Waiting for some seconds and you will see connected message as shown on your mobile device. (For some Bluetooth devices, you may need to input “**0000**” as pairing password)
- If pairing is successful, a tone will sound and the “**Bluetooth (11)**” LED will keep lighting blue from blinking.
- Now, you can start to music play from the mobile device by its music player program.

4. Use NFC for fast Bluetooth pairing

a. On Bluetooth Speaker:

1. Slide the “**Power Switch (2)**” to “**ON**” position.
2. Make sure that the NFC detection mark “  **(10)**” is at the right place to touch.

b. On Mobile Phone:

1. Make sure that the mobile phone has the NFC function turned on and the screen is active (unlocked).
2. Touch the mobile device NFC sensor on the Bluetooth Speaker’s NFC detection mark. Keep touching until the mobile device vibrates and or sound. (When the devices connect, some mobile phone may pop up a dialog box to confirm on it screen)
3. After pairing is successful; from Bluetooth speaker, a tones will sound and the “**Bluetooth (11)**” LED will keep lighting in Blue from blinking.
4. To disconnect the Bluetooth Speaker from an NFC connected phone, touch it with the mobile device again.


Hint: *If you cannot connect the unit, try the following:*

- *Move the mobile phone slowly over the “NFC” mark of the Bluetooth*

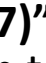


Speaker.

- *If the mobile phone is in case (especially metal), remove it from the case.*

5. Control Function

- Press “ (7)” button to pause the playing music. Press it again to resume.
- Press and hold the “+ (9)” button to increase the volume level.
- Press and hold the “- (8)” button to decrease the volume level.
- When maximum or minimum volume is reached, a beep sound will be heard.
- Press the “+ (9)” button to change next music file play.
- Press the “- (8)” button to change previous music file play.

6. When there is an incoming call

- When there is an incoming call during Bluetooth music playing mode;
- The ringing sound up and the playing music will pause automatically.
- Press and hold “ (7)” button to reject the call if you want. Or,
- Press “ (7)” button to pick up the call.
- Now you have hand free function with the Bluetooth speaker.
- Press “ (7)” again to hang up the call when finished. And the paused music will resume automatically.

Tip: speak to the “MIC (5)” direct with distance in 30 ~ 60cm to get the best speakerphone performance when necessary.

7. Splash-proof Handling

- Make sure that the splash-proof “**Rubber Seal Cover (16)**” it tightens closed at the right position.
- The Bluetooth Speaker can handle a brief jet of water on its surface (IPX4 Splash-proof). However, it should never be operated under running water and under no circumstance it should never be fully immersed in water.
- Always wipe the Bluetooth Speaker surface thoroughly if it becomes wet with moisture or water splashes. This will help to prevent the internal parts of the unit from entry of water and possible moisture damage.

8. Downloading the Detail User’s Manual

- For consider environment protection, the detailed User’s Manual is stored on our website for download. Please visit our Company’s website to download the detail user manual via <https://lencosupport.zendesk.com/home>
- To open the downloaded user manual, the Computer needs to have a .pdf reader. You may need to download the PDF reader (for free) via <http://get.adobe.com/reader/> if your Computer have not installed the PDF reader.



Products with the CE marking comply with the EMC Directive (2004/108/EC) and the Low Voltage Directive (2006/95/EC) issued by the Commission of the European Community.

Hereby, STL Group BV, Ankerkade 20 NL 5928 PL Venlo, declares that this product is in compliance with the essential requirements and other relevant provisions of Directive 1999/5/EC.

The declaration of conformity may be consulted at <https://lencosupport.zendesk.com/forums/22413161-CE-Documents>

This product operates at 2400 - 2483.5 MHz and is designated only to be used inside a normal household environment. This product is suited for this purpose within all EU counties.



This symbol indicates that the relevant electrical product or battery should not be disposed of as general household waste in Europe. To ensure the correct waste treatment of the product and battery, please dispose them in accordance to any applicable local laws of requirement for disposal of electrical equipment or batteries. In so doing, you will help to conserve natural resources and improve standards of environmental protection in treatment and disposal of electrical waste (Waste Electrical and Electronic Equipment Directive).

®All rights reserved