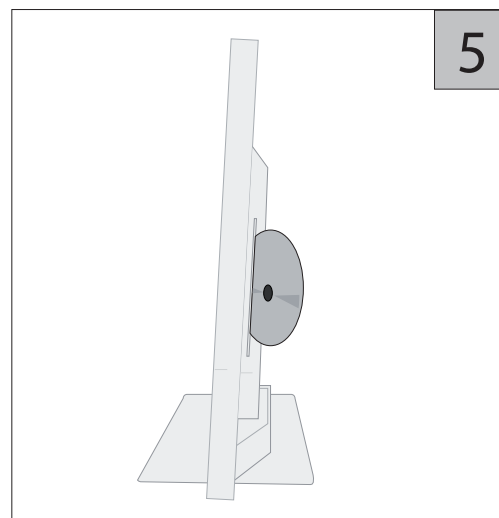
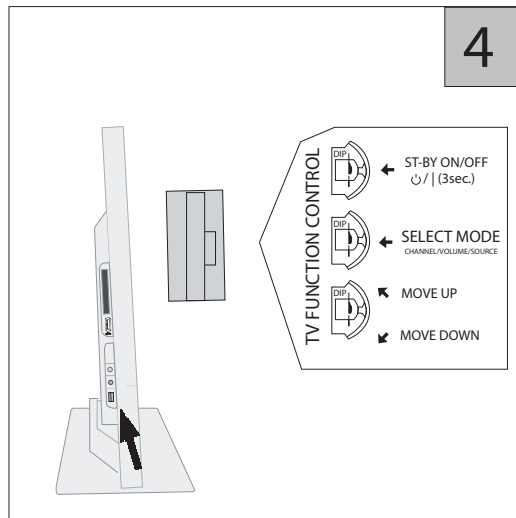
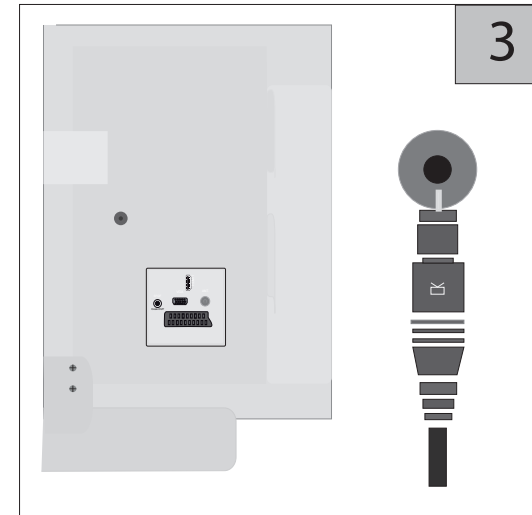
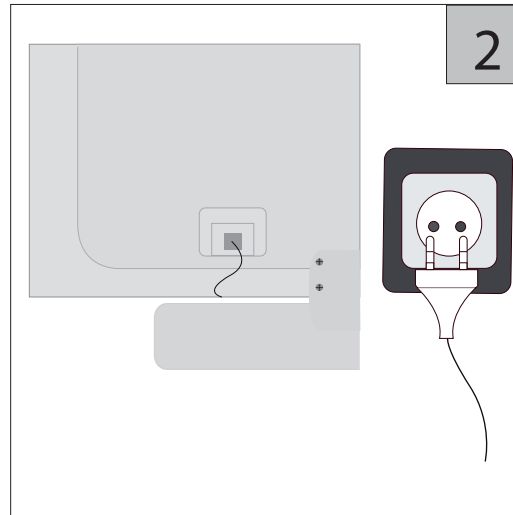
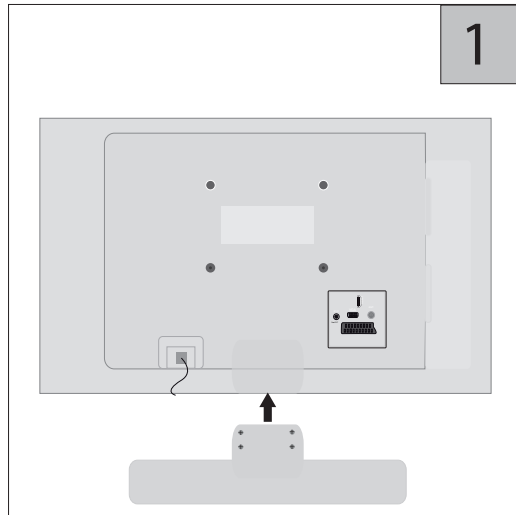


Lenco

DVL-2695 SILVER 66 CM (26") HD LED TV WITH INTEGRATED DVD PLAYER, HD MPEG4 DVB-T/C TUNER AND CI+



IMPORTANT SAFETY INSTRUCTIONS - READ CAREFULLY BEFORE USE.

CAUTION: RISK OF ELECTRICAL SHOCK. DO NOT OPEN ANY COVER SCREWS. THERE ARE NO USER SERVICEABLE PARTS INSIDE. REQUEST A QUALIFIED SERVICE PERSON TO PERFORM SERVICING.

This symbol indicates that there are important operating maintenance instructions in the user manual accompanying this unit.



This symbol indicates that dangerous voltage is present within this unit constituting a risk of electrical shock or personal injury.

Keep these instructions in mind:

Do not use this unit near water.
Protect the power cord from being walked on or pinched, particularly at plugs; and the point where it exits the unit. Do not place heavy items on the power cord, which may damage it. Take note that the power cord cannot be reached and pulled by young children, avoiding injury.

Unplug this unit during lightning storms or when unused for a long period of time.

Keep the unit away from heat sources such as radiators, heaters, stoves, candles and other heat-generating products.
WARNING! NEVER INSERT AN OBJECT INTO THE PRODUCT THROUGH VENTS OR OPENINGS. HIGH VOLTAGE FLOWS IN THE PRODUCT AND INSERTING AN OBJECT CAN CAUSE ELECTRICAL SHOCK AND/OR SHORT INTERNAL PARTS. FOR THE SAME REASON, DO NOT SPILL WATER OR LIQUID ON THE PRODUCT.

Do NOT use in wet or moist areas such as bathrooms, steamy kitchens or near swimming pools.

Do not use this unit when moisture condensation may occur.

This unit has been produced according to all current safety regulations. The following safety tips should safeguard users against careless use and the dangers connected with such use.

Although this unit has been carefully manufactured and rigorously checked before leaving the factory, as with all electrical appliances, it is possible for problems to develop. If you notice smoke, an excessive build up of heat or any other unexpected phenomena, you should disconnect the plug from the mains power socket immediately.

This unit must operate on a power source specified on the specification label. If you are not sure of the type of power supply used in your home, consult your dealer or local power company.

The socket/outlet must be installed near the equipment and must be easily accessible.

Do not overload AC outlets or extension cords. Overloading can cause fire or electric shock.

Units with Class 1 construction shall be connected to a mains socket outlet with a protective earthing connection.

Always hold the plug when pulling out the plug from the mains supply socket. Do not pull the power cord. This can cause a short circuit.

The screen is made of plastic and can break if damaged. It is done to it. When broken, be careful with sharp edged plastic splinters to avoid injury.

When the unit is not used for long periods of time, unplug the AC power cable for safety reasons.

Do NOT tap or shake the screen, you may damage the internal circuits.

Take good care of the remote control, do not drop.
To clean the TV use a soft dry cloth. Do NOT use solvents or petrol based fluids. For stubborn stains, you may use a damp cloth with dilute detergent.

Where to install

Locate the TV away from direct sunlight and a strong light; soft indirect lighting is recommended for comfortable viewing. Use curtains or blinds to prevent direct sunlight falling on the screen. When the TV is put away place it on a sturdy platform of which the surface should be flat and steady. This will prevent it from falling over. Make sure the TV is located in a position where it cannot be pushed or hit by objects, as pressure will break or damage the screen, and so that small objects cannot be inserted into the ventilation slots or openings in the cabinet.

Declaration of Conformity

CE Products with the CE marking comply with the EMC Directive (2004/108/EC) and the Low Voltage Directive (2006/95/EC) issued by the Commission of the European Community.



This symbol indicates that the relevant electrical product or battery should not be disposed of as general household waste in Europe. To ensure the correct waste treatment of the product and battery, please dispose of them in accordance to any applicable local laws or requirements for disposal of electrical equipment or batteries. In so doing, you will help to conserve natural resources and improve standards of environmental protection in treatment and disposal of electrical waste (Waste Electrical and Electronic Equipment Directive).

When you see a crossed-out wheeled waste container on the product. It means that the product falls under the EU directive 2002/96/EC.

Service and support

Lenco offers service and warranty in accordance to European law, which means that in case of repair (both during and after the warranty period), you should contact your local dealer. Please note: It is not possible to send repairs to Lenco directly.

Lenco helpdesk:

Germany 0900-1520530 (Local call)
The Netherlands 0900-23553626 (Local call + 1ct pm)
Belgium 026-200115 (Local call)
France 0170480005 (Local call)

The helpdesk is accessible from Monday till Friday from 9 AM till 6 PM.

In case your device needs repair our helpdesk will redirect you to your local dealer.

Important note: If the unit is opened by a non-official service center the warranty expires.