

Lenco

BTT-1 SPEAKERTOWER WITH BLUETOOTH®, FM RADIO AND USB SLOT



User manual

www.lenco.eu

V1.0

Table of content

What is in the box?	3
Mounting the base	4
Getting started	4
Where to install.....	4
Placing the batteries	4
Exploring the device	5
Connections	6
Basic operation.....	7
PREPARATION.....	7
STATE INDICATION OF DISPLAY SCREEN	7
STANDBY MODE.....	7
Mute button	7
VOLUME SETTING.....	7
TONE FUNCTION.....	7
FAST FORWARD AND FAST REWIND	7
PREVIOUS AND NEXT.....	7
BLUETOOTH, AUDIO, FM and USB BUTTONS.....	7
SEARCH BUTTON.....	7
NUMBER BUTTONS.....	8
PLAY/PAUSE BUTTON	8
Stop button	8
RANDOM BUTTON.....	8
REPEAT BUTTON	8
USB.....	8
BLUETOOTH	8
Radio operation	9
Troubleshooting.....	10
Specifications	11
Safety instructions	12
Declaration of Conformity	14
Disclaimer.....	14
Service and support.....	15
End of life.....	16

Dear customer,

Thank you for buying this Lenco product. Quality and usability is our top priority. In order to let you fully enjoy this device, we have manufactured this product using high quality standards, materials, components, and care.



Please read all safety instructions and national restrictions, before you use this device.

Note:

This user manual was printed prior to the development of this product. When operability or other functions needed improvement, priority went to the product specification itself, and not to this manual.

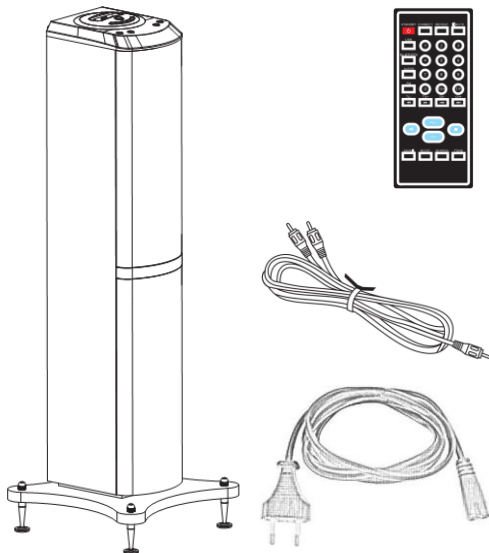
In such instances, the instruction manual may not entirely match all the functions of the actual product. Therefore, the actual product and packaging, as well as the name and illustration, may differ from the manual. The screen shown as an example in this manual may differ from the actual screen display.

Lenco is not liable for any consequential damage.

What is in the box?

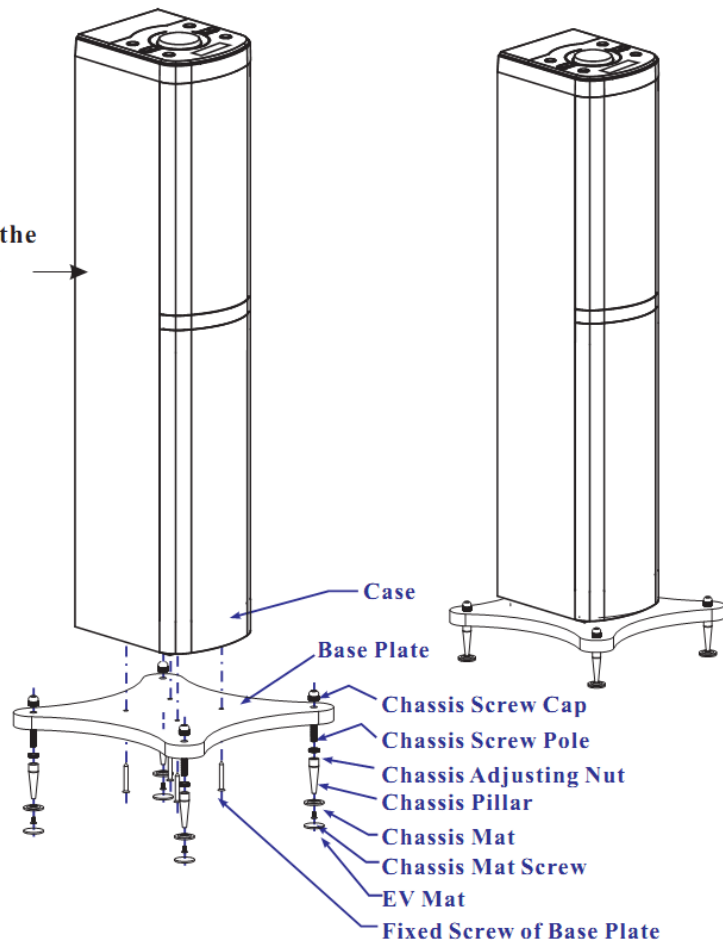
This device has been assembled with the utmost care. If, however, an accessory is missing, please contact your local dealer immediately.

Check the supplied accessories:



Mounting the base

Note:
Please tear off the
protective film
when use

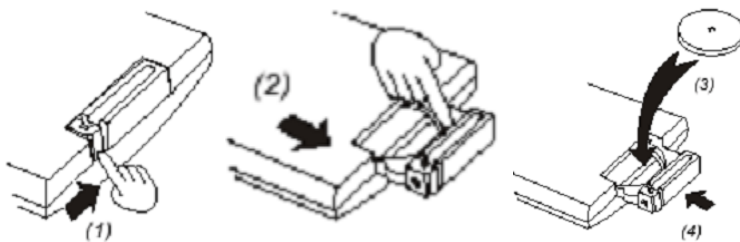


Getting started

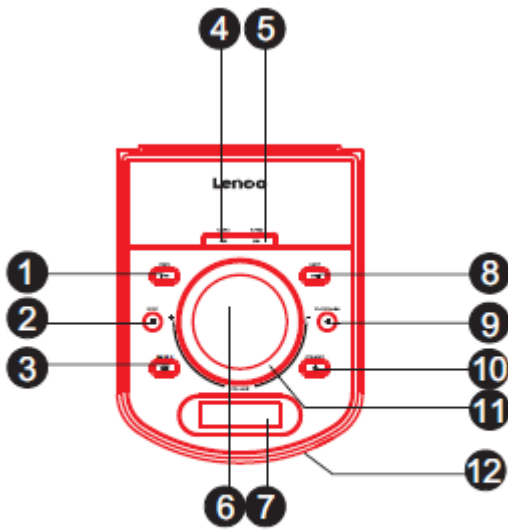
Where to install

Keep the device out of direct sunlight. When the device is not in use, place it on a sturdy platform of which the surface should be flat and steady, so the device cannot fall. Make sure the device is stored in such a manner that no object can fall on it, as pressure will damage or break the device. Prevent insertion of small objects into the ventilation slots, or openings in the cabinet at all time.

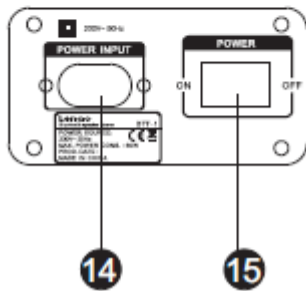
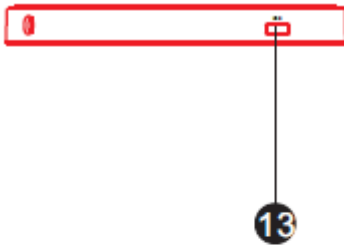
Placing the batteries

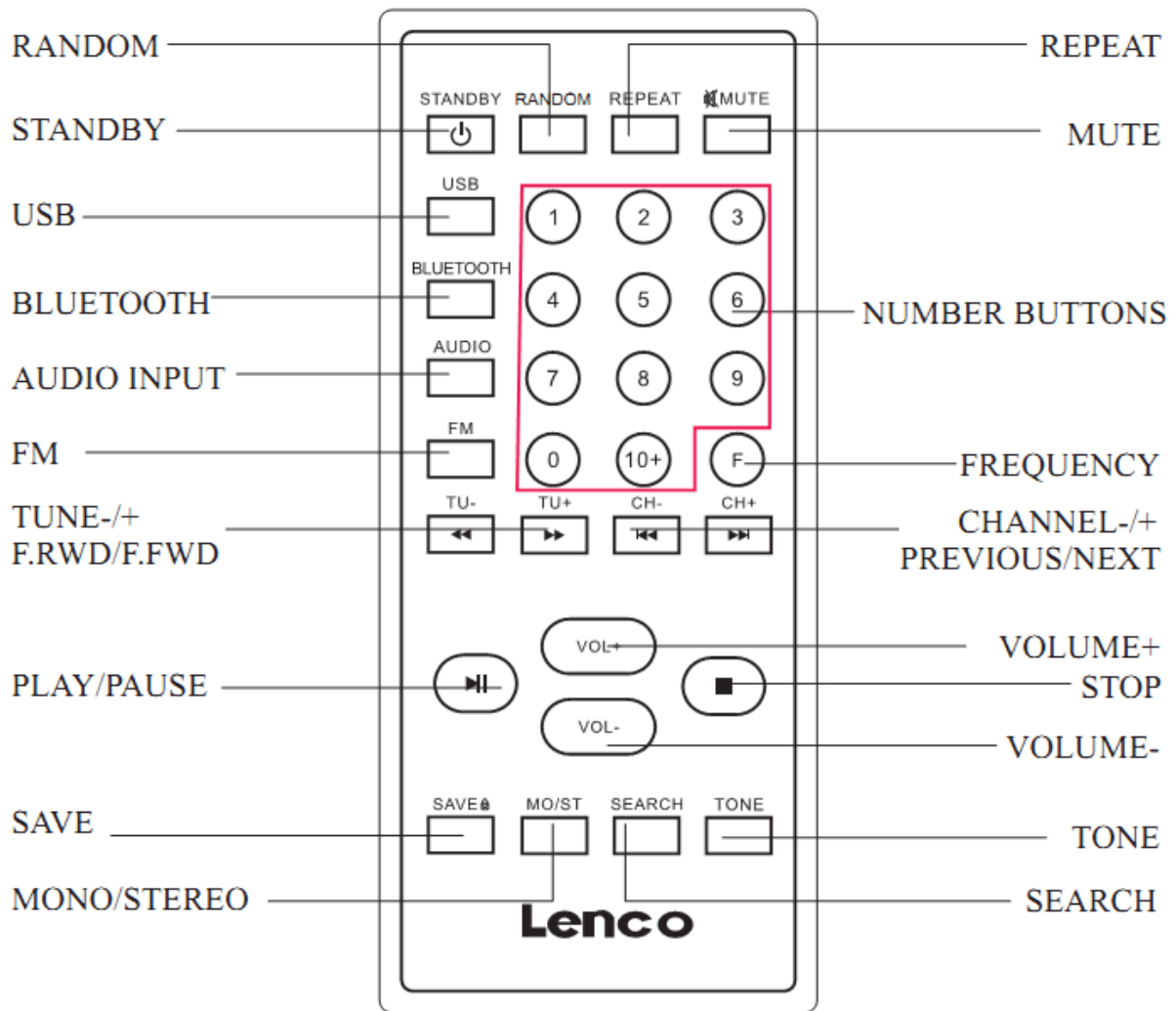


Exploring the device



1. PREVIOUS BUTTON
2. STOP BUTTON
3. SOURCE BUTTON
4. FAST REWIND BUTTON
5. FAST FORWARD BUTTON
6. VOLUME +/- BUTTON
7. DISPLAY SCREEN
8. NEXT BUTTON
9. PLAY/PAUSE BUTTON
10. STANDBY BUTTON
11. INDICATOR LIGHT
12. REMOTE CONTROL SENSOR
13. USB PORT
14. POWER SUPPLY INPUT
15. POWER ON/OFF

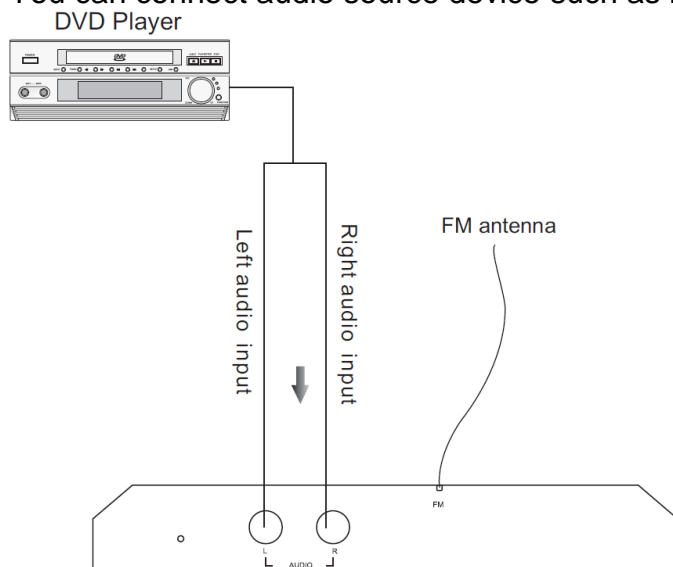




Connections

Before connecting acoustic equipment, pay attention to the picture below. Each connection must be safe and firm. Disconnect power cable until you have finished all the connections.

You can connect audio source device such as MP3, telephone and others.



Basic operation

PREPARATION

- 1) Before the unit is turned on, please check if all the connections are right and safe. Then connect the main power.
- 2) Press the POWER ON/OFF button on the back panel to turn on the main power.
- 3) Press the STANDBY button on the remote control (or front panel) to exit the standby mode.

STATE INDICATION OF DISPLAY SCREEN

- 1) In radio status, show the received frequency and mono/stereo.
- 2) In Audio-input show the signal input and main volume status.

STANDBY MODE

Press the STANDBY button on the remote control (or on front panel) to switch ON/OFF the Standby mode.

Note: Make sure that the unit is connected to the power source.

Mute button

If you press the MUTE button while playing, sound signal will not be heard. Press the MUTE button again or the VOL+/- buttons to resume the previous volume level.

VOLUME SETTING

Press the VOL.+/- buttons to turn the volume up or down.

TOPE FUNCTION

In play status, press TONE button on the remote control to switch the Bass or Treble adjusting mode; press the VOL.+/- button to adjust the effect of Bass or Treble.

FAST FORWARD AND FAST REWIND

In play status, press the previous or next button to fast rewind or fast forward. Press the button again or PLAY/PAUSE button to resume playing mode.

Note: These buttons are unavailable in Audio Input and Bluetooth mode.

PREVIOUS AND NEXT

In play status, press the previous button to go to the previous audio file; press the next button to go to the next audio file.

Note: These buttons are unavailable in Audio Input mode.

BLUETOOTH, AUDIO, FM and USB BUTTONS

- 1) Connect the bluetooth device with this unit, then press BLUETOOTH button on the remote control to enter the BLUETOOTH mode.
- 2) Correctly connect audio facility (eg. PC, MP3) with this unit, then press AUDIO button on the remote control to enjoy outer audio input sources function.
- 3) Press FM button on the remote control to enter radio mode.
- 4) Press USB button on the remote control to enter USB mode.

SEARCH BUTTON

In Radio mode, press this button to search bands automatically; press again to stop searching.

NUMBER BUTTONS

In Radio status, press the NUMBER buttons to input the number of the required frequency or band. For more information, see RADIO OPERATION.

PLAY/PAUSE BUTTON

In play status, press the PLAY/PAUSE button to pause, press this button again to continue the playing.

Note: This button is unavailable in Audio Input mode.

Stop button

In play status, press the STOP button, the player will stop playing; Press the PLAY/PAUSE button to resume playing mode.

Note: This button is only available in USB mode.

RANDOM BUTTON

In play status, press the RANDOM button once, the tracks will be played in a random order, press it again to cancel this function and the tracks will be played in the original order.

Note: This button is only available in USB mode.

REPEAT BUTTON

In play status, press the REPEAT button to repeat playing, press this button once to repeat playing the current track, press again to repeat all tracks, press the third time to cancel the setting.

Note: This button is only available in USB mode.

USB

It is possible to listen to audio files using the USB interface of this unit.

1. Connect the USB device with this unit.
2. Press the USB button on the remote control to play the USB.
3. Press the rewind or forward button to fast rewind or fast forward; Press the previous or next button to go to the previous or next audio files.
4. To exit the USB mode: Press the BLUETOOTH, AUDIO or FM button, and switch to other modes.

Note:

- 1) USB-Extension cable should have a max. length of 0.5m.
- 2) Depending on the amount of data and media speed, it may take longer for system to read the contents of media device. In some cases, reading time may be as long as 60 seconds. This is not a malfunction.
- 3) Even when they are in a supported format, some files may not play depending on the content.

BLUETOOTH

It is possible to listen to audio files using the BLUETOOTH interface of this unit.

1. Press the BLUETOOTH button to enter the bluetooth mode. The indicator light flashes blue.
2. Start the bluetooth function on the device such as the mobile phone.
3. Place the device into Bluetooth search mode. The device will begin searching for the speaker. Select the BTT-1 from the searched list.
4. When connecting successfully, the indicator light will be lit steadily. Then select the track you want to play.

To connect another device, first, disconnect the original paired device. Then follow the above steps to pair the BTT-1 with another device.

NOTE: If the function cannot be controlled normally, press the Power ON/OFF button on the rear panel to turn off the speaker, then turn on it.

Radio operation

1. Enter FM Function

In the turn-on or playing status, press the FM button on the remote control to enter FM mode.

2. Select Bands

1) Directly input frequency: press the T/F button on the remote control, then input the frequency that you want. The range of FM frequency is from 87.50MHz to 108.00 MHz.

2) Select the band by pressing TU- or TU+ button: press this button to adjust the frequency up or down a step. The step of FM is 0.05 MHz.

3) Select saved stations by pressing number buttons. For example: press 10+ button twice, 5 button once, you may select the 25th saved station. Press the CH- or CH+ button to switch the previous or next band.

4) Automatically search bands: press the SEARCH button, this system starts to search bands from low to high frequency automatically. The searched band are saved automatically. Press this button again to stop searching.

3. Save Bands

Press the SAVE button to save the current frequency of band. For example: if you want to save 99.3 MHz in 28th cell, press 10+ button twice and 8 button once, press T/F button to input 9 9 3, then press SAVE button.

4. Soundtrack Selection

To select Mono or Stereo while in FM mode, press MO/ST button. When you select stereo, the display shows a stereo signal. If the signal is not strong enough, you cannot select Stereo.

5. Exit FM Mode

1) Press the USB button on the remote control to exit FM status, and switch to USB mode.

2) Press the BLUETOOTH button on the remote control to exit FM status, and switch to the bluetooth mode.

3) Press the AUDIO button on the remote control to exit FM status, and switch to Audio input mode.

(Please vary the antenna direction to find the strongest signal for each station.)

Troubleshooting

Probleem	Oplossing
The device doesn't turn on	Check if the power cable is connected correctly?
	Is the main power switch turned on?
No sound	Did you selected the correct source? (Bluetooth®, FM)
	Did you set the external audio source correctly?
	Is the Bluetooth® device paired?
	Press mute.
	Press volume +.
The remote control does not function	Are you within the operating parameters of the remote control?
	Strong light (outdoor) can disrupt the function
	Replace the batterij
The unit does not respond	Reset the unit

Specifications

Power supply	Internal	Input	AC ~ 100-240V, 50/60Hz
Power consumption	Standby		< 1 W
	Operation		60 Watt
Operating conditions	Temperature		-10~+35°C
	Humidity		5%~90%
Output	Output power	Speakers	2x 15W RMS @ 10% THD
		Subwoofer	30 W RMS @ 10% THD
	Frequency range		±3dB 20Hz~20kHz
	S/N		>80dB @ 1kHz
	THD + Noise		≤-60dB @ 1kHz
	L/R Channel output		Stereo
	Equalizer		No
Display	Display color		Red
	Information LED color in standby mode		Red
	Information LED color in Bluetooth® mode		Blue
	Dimmer	no	
	Viewing Angle		90°
	Multi language OSD		No
Remote control	Range		5m
			30° angle
	Battery		1x CR2025
Dimensions	Tower		305 x 305 x 910 mm
	Remote control		125 x 55 x 12 mm
Weight	Tower		6,65 KG
	Remote control		50 Gram
Certificates	CE, RoHs		

Safety instructions

IMPORTANT SAFETY INSTRUCTIONS - READ CAREFULLY BEFORE USE.



**CAUTION
RISK OF ELECTRICAL SHOCK
DO NOT OPEN**



CAUTION: TO PREVENT AN ELECTRICAL SHOCK, DO NOT REMOVE ANY COVER SCREWS. THERE ARE NO USER SERVICEABLE PARTS INSIDE. REQUEST A QUALIFIED SERVICE PERSON TO PERFORM SERVICING.



This symbol indicates that there are important operating maintenance instructions in the user manual accompanying this device.



This symbol indicates that dangerous voltage is present within this device, constituting a risk of electric shock or personal injury.

Keep these instructions in mind:

- Do not use this device near water.
- Clean only with a slightly damp cloth.
- Do not cover or block any ventilation opening. When placing the device on a shelf, leave 5 cm (2") free space around the whole device.
- Install in accordance with the supplied user manual.
- Don't step on or pinch the power cord. Be very careful, particularly near the plugs and the cable's exit point. Do not place heavy items on the power cord, which may damage it. Keep the entire device out of children's reach! When playing with the power cable, they can seriously injure themselves.
- Unplug this device during lightning storms or when unused for a long period.
- Keep the device away from heat sources such as radiators, heaters, stoves, candles and other heat-generating products.
- Avoid using the device near strong magnetic fields.
- ESD can disturb normal usage of this device. If so, simply reset and restart the device following the instruction manual. During file transmission, please handle with care and operate in a static-free environment.
- **WARNING! NEVER INSERT AN OBJECT INTO THE PRODUCT THROUGH THE VENTS OR OPENINGS. HIGH VOLTAGE FLOWS THRU THE PRODUCT AND INSERTING AN OBJECT CAN CAUSE ELECTRIC SHOCK AND/OR SHORT CIRCUIT INTERNAL PARTS. FOR THE SAME REASON, DO NOT SPILL WATER OR LIQUID ON THE PRODUCT.**
- Do NOT use in wet or moist areas such as bathrooms, steamy kitchens or near swimming pools.
- Do not use this device when condensation may occur.

Safety instructions - continued

This device is produced according to all current safety regulations. The following safety tips should safeguard users against careless use and dangers involved with such use.

- Although this device is manufactured with the utmost care, and checked several times before leaving the factory, it is still possible that problems may occur, as with all electrical appliances. If you notice smoke, an excessive build-up of heat or any other unexpected phenomena, you should disconnect the plug from the main power socket immediately.
- This device must be well ventilated at all time!
- This device must operate on a power source as specified on the specification label. If you are not sure of the type of power supply used in your home, consult your dealer or local power company.
- The socket outlet must be installed near the equipment and must be easily accessible.
- Do not overload AC outlets or extension cords. Overloading can cause fire or electric shock.
- Devices with a Class 2 power cord do not require an earthed connection.
- Keep away from rodents. Rodents enjoy biting on power cords.
- Always hold the plug when pulling out the plug from the main supply socket. Do not pull the power cord. This can cause a short circuit.
- Avoid placing the device on any surfaces that may be subject to vibrations or shocks.
- To protect the device during a thunderstorm unplug the AC power cable.
- When the device is not used for long periods, unplug the AC power cable for safety reasons.
- To clean the device, use a soft dry cloth. Do NOT use solvents or petrol based fluids. For stubborn stains, you may use a damp cloth with a diluted detergent.
- We are not responsible for damage or lost data caused by malfunction, misuse, modification of the device.



WARNING: long term exposure to loud sounds may lead to temporary or permanent hearing impairment.

Declaration of Conformity



Products with the CE marking comply with the EMC Directive (2004/108/EC) and the Low Voltage Directive (2006/95/EC) issued by the Commission of the European Community.

Disclaimer

Some content and services accessible through this device belong to third parties and are protected by copyright, patent-, trademark- and/or other intellectual property laws. Such content and services are solely provided for your personal and non-commercial use. You may not use any content or services in a manner that has not been authorized by the content owner or service provider. Without limiting the foregoing, unless expressly authorized by the applicable content owner or service provider, you may not modify, copy, republish, upload, post, transmit, translate, sell, or create derivative works, exploit, or distribute in any manner or medium any content or services displayed through this device.

“THIRD PARTY CONTENT AND SERVICES ARE PROVIDED ‘AS IS.’ LENCO DOES NOT WARRANT CONTENT OR SERVICES SO PROVIDED, NEITHER EXPRESSLY NOR IMPLIED, FOR ANY PURPOSE. LENCO EXPRESSLY DISCLAIMS ANY IMPLIED WARRANTIES, INCLUDING BUT NOT LIMITED TO, WARRANTIES OF MERCHANTABILITY OR FITNESS FOR A PARTICULAR PURPOSE. LENCO DOES NOT GUARANTEE THE ACCURACY, VALIDITY, TIMELINESS, LEGALITY, OR COMPLETENESS OF ANY CONTENT OR SERVICE MADE AVAILABLE THROUGH THIS DEVICE. UNDER NO CIRCUMSTANCES, INCLUDING NEGLIGENCE, SHALL LENCO BE LIABLE. NEITHER IN CONTRACT, NOR TORT, FOR ANY DIRECT, INDIRECT, INCIDENTAL, SPECIAL OR CONSEQUENTIAL DAMAGES, ATTORNEY FEES, EXPENSES, OR ANY OTHER DAMAGES ARISING OUT OF, OR IN CONNECTION WITH, ANY INFORMATION CONTAINED IN, OR AS A RESULT OF THE USE OF ANY CONTENT OR SERVICE BY YOU OR ANY THIRD PARTY, EVEN IF ADVISED OF THE POSSIBILITY OF SUCH DAMAGES.”

Third party services may be terminated or interrupted at any time, and Lenco makes no representation or warranty that any content or service will remain available for any period. Content and services are transmitted by third parties by means of networks and transmission facilities over which Lenco has no control. Without limiting the generality of this disclaimer, Lenco expressly disclaims any responsibility or liability for any interruption or suspension of any content or service made available through this device. Lenco is neither responsible nor liable for customer service related to the content and services. Any question or request for service relating to the content or services should be made directly to the respective content and service providers.

Service and support

For questions about the software please visit <http://audacity.sourceforge.net>
For information and support about the hardware: www.lenco.eu

Lenco helpdesk:

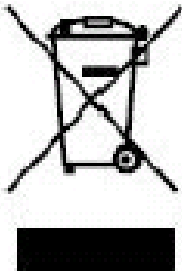
Germany	0900-1520530	(Local charges)
The Netherlands	0900-23553626	(Local charges + 1ct P/min)
Belgium	02-6200115	(Local charges)
France	0170480005	(Local charges)

The helpdesk is accessible from Monday till Friday from 9 AM till 6 PM.
In case your device needs repair our helpdesk will redirect you to your local dealer.

Lenco offers service and warranty in accordance to European law, which means that in case of repair (both during and after the warranty period), you should contact your local dealer. **Please note:** It is not possible to send repairs to Lenco directly.

Important note: If the unit is opened by a non-official service center the warranty expires.

End of life



This symbol indicates that the relevant electrical product or battery should not be disposed of as general household waste in Europe. To ensure the correct waste treatment of the product and battery, please dispose them in accordance to any applicable local laws of requirement for disposal of electrical equipment or batteries. In so doing, you will help to conserve natural resources and improve standards of environmental protection in treatment and disposal of electrical waste (Waste Electrical and Electronic Equipment Directive).

When you see a crossed-out wheeled waste container on the product. It means that the product falls under the EU directive 2002/96/EC.

