

Lenco

BTT-6

3D SOUND SPEAKERTOWER WITH
BLUETOOTH®



User manual

Table of contents

What's in the box?	3
3D Sound	4
Exploring the device	4
Top view	4
Front view	5
Rear view	5
Exploring the remote control	6
Getting started	7
Where to install	7
Connecting the power cord	7
Installing the batteries in the remote control	7
Battery maintenance	7
Installing the backup memory battery	7
Establishing a Bluetooth® connection	8
Basic operation	8
Bluetooth®	9
FM Radio	9
AUX	9
Sleep timer	9
Reset	10
System settings	10
Setting the display backlight level	10
Setting the clock	10
Trouble shooting	10
Safety instructions	11
Declaration of Conformity	12
Do not distribute copyright-protected material	13
Disclaimer	13
Service and support	14
End of life	15

Dear customer,

Thank you for buying this Lenco product. Quality and usability is our top priority. In order to let you fully enjoy this tablet, we have manufactured this product using high quality standards, materials, components, and care.



Please read all safety instructions and national restrictions, before you use this product.

Note:

This user manual was printed prior to the development of this product. When operability or other functions needed improvement, priority went to the product specification itself, and not to this manual.

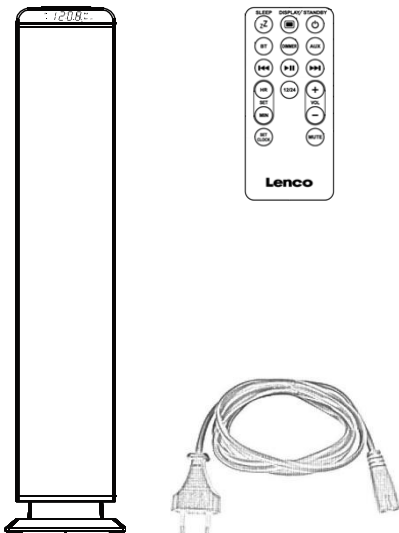
In such instances, the functions in the instruction manual may not entirely match all the functions of the actual product. Therefore, the actual product and packaging, as well as the name and illustration, may differ from the manual. The images shown as an example in this manual may differ from the actual screen display.

Lenco is not liable for any consequential damage.

What's in the box?

This tablet has been assembled with the utmost care. If, however, an accessory is missing, please contact your local dealer immediately.

These accessories are included with the product:



3D Sound

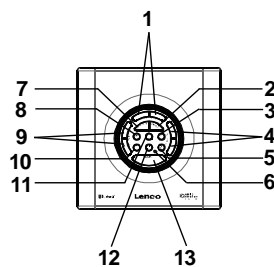


This is a model that features integrated Sonic Emotion 3D Sound, a technology that uses Wave Field Synthesis to create the illusion that sound comes from all around the room. Every type of input, even stereo,

iPhone, iPad, iPod, Touch / smartphone Bluetooth music streaming, stereo FM-radio or Aux-in music that is being played in stereo can be used to create a virtual soundfield using WFS by Sonic Emotion. This enabled you to enjoy the finest audio, no matter where you are in the room. All with a single device.

Exploring the device

Top view

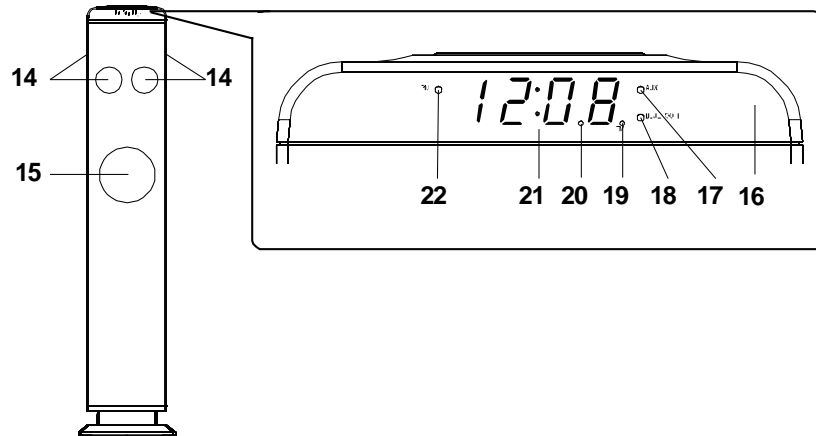


1. **CH+ / CH- buttons**, press the CH+ button to go to the next preset radio station. Press the CH- button to go to the previous preset radio station ¹.
2. **ST. / MONO button**, press this button to switch between stereo and mono reception ¹.
3. **AUX button**, press this button to enter the AUX mode.
4. **Volume + / - button**, press the volume + button to increase the volume. Press the volume – button to decrease the volume.
5. **Standby button**, press this button to turn the device on or off.
6. **Bluetooth® LED**, this LED shows the Bluetooth® status. When the LED indicator is blinking, the tower is paired with a Bluetooth® device.
7. **Mode / MEM knob**, use this button to set the clock's 12 / 24 hour display or to save preset radio stations.
8. **RADIO knob**, press this button to enter the FM radio mode.
9. **Fine tuning + / - / ◀ / ▶ buttons**
in Bluetooth® mode: Press the ▶ button to go to the next song. Press the ◀ button to go to the previous song.
in radio mode: Press the + button to raise the frequency. Press the – button to lower the frequency.
10. **Sleep button**, press this button to set the sleep timer.
11. **BT button**, press this button to enter the Bluetooth® mode.
12. **play / pause button**, press this button to start the audio playback. If a file is being played, press this button to pause playback ².
13. **DIMMER button**, press this button to set the display backlight level.

¹ This feature is only available in the radio mode.

² This feature is only available in the Bluetooth® mode.

Front view



14. **Speakers.**

15. **Subwoofer.**

16. **Infrared eye**, the infrared eye receives the remote control's signals.

17. **AUX LED**, this LED will be lit when the device is in the AUX mode.

18. **Bluetooth® LED**, this LED will be lit when the device is in the Bluetooth® mode.

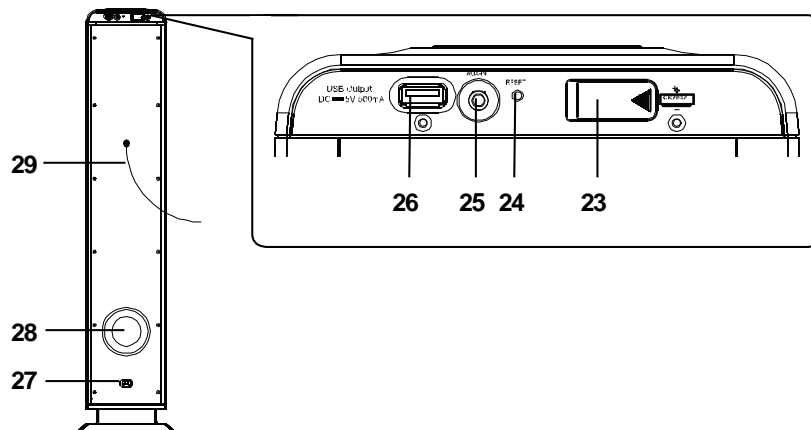
19. **FM LED**, this LED will be lit when the device is in the radio mode.

20. **FM Band decimal LED.**

21. **LED Display**, this display shows the most important information.

22. **PM LED indicator**, when the 12 hour time setting is active, this LED will be lit in the afternoon.

Rear view



23. **Battery compartment for the clock's back-up memory.**

24. **Reset button**, when the device stops responding, press this button to reset the device ¹.

25. **AUX input jack**, use this input to connect an external audio source.

26. **USB port**, use this port to connect a USB device ².

27. **DC input jack**, use this input to connect the power cord.

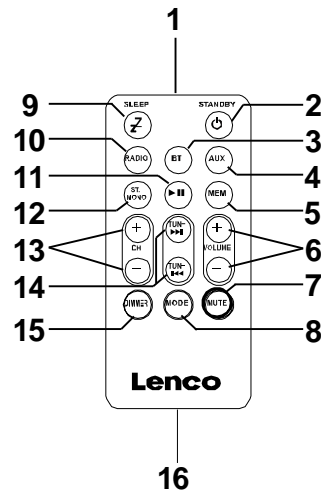
28. **Bass reflex opening**, this hole is used for the air movement of the bass speaker.

29. **Wire antenna**, this antenna receives FM radio signals.

¹ All settings will be lost.

² USB specifications: DC 5V 500mA

Exploring the remote control



1. **Infrared LED**, this LED sends infrared signals to the main unit.
2. **⏻ Standby button**, press this button to turn the device on or off.
3. **BT button**, press this button to enter the Bluetooth® mode.
4. **AUX button**, press this button to enter the AUX mode.
5. **MEM button**, use this button to save radio stations.
6. **Volume + / - buttons**, press the volume + button to increase the volume. Press the volume – button to decrease the volume.
7. **Mute button**, press this button to turn off the volume, press it again to turn the volume back on.
8. **Mode button**, use this button to set the clock's 12 / 24 hour display.
9. **zZ Sleep button**, press this button to set the sleep timer.
10. **RADIO button**, press this button to enter the FM radio mode.
11. **▶|| play / pause button**, press this button to start the audio playback. If a file is being played, press this button to pause playback ².
12. **ST. / MONO button**, press this button to switch between stereo and mono reception ¹.
13. **CH+ / CH- buttons**, press the CH+ button to go to the next preset radio station. Press the CH- button to go to the previous preset radio station ¹.
14. **Fine tuning + / - / ◀◀ / ▶▶ buttons**
 in Bluetooth® mode: Press the ▶▶ button to go to the next song. Press the ◀◀ button to go to the previous song.
 in radio mode: Press the + button to raise the frequency. Press the – button to lower the frequency.
15. **DIMMER button**, press this button to set the display backlight level.
16. **Battery compartment**, open this compartment to install or replace the battery.

¹ This feature is only available in the radio mode.

² This feature is only available in the Bluetooth® mode.

Getting started

Where to install

Never place the tower in direct sunlight. For comfortable viewing, we recommend a soft light. Place it on a sturdy platform of which the surface should be flat and steady, so the product can't fall or hit by any objects. Make sure the product is placed in such a manner that nothing can fall on top of it, as pressure will damage or break the product. Prevent insertion of objects into the ventilation slots, or openings in the cabinet at all time.

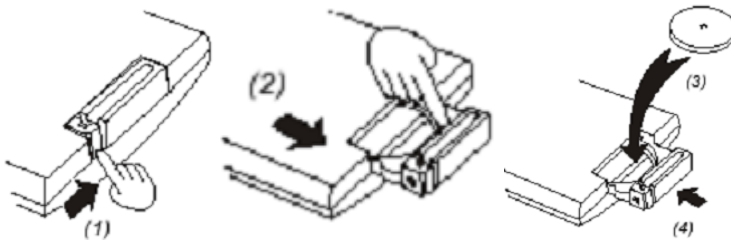
Connecting the power cord

Connect the power cord to the tower by connecting the small flat end of the cable to the power connection on the rear of the tower. Connect the wide flat end of the cable to the power outlet.



The power outlet must be easily accessible, so that the power cord can be easily disconnected from the outlet when there is a problem with the device.

Installing the batteries in the remote control



1. Press the locking tab in the direction of the arrow.
2. Pull out the battery tray in the direction of the arrow.
3. Place the battery in the tray with the + side facing up.
4. Push the tray back into the remote until it clicks.

Important note: Only use a battery of type CR2025.

Battery maintenance

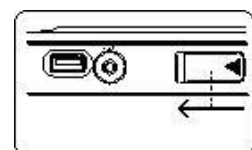
To maximize the battery and remote control lifetime, please follow these instructions:

- Use the remote control of the product at least once a week.
- Remove the battery from the remote control if it is not used longer than a week.
- Always keep the tablet away from heat sources.
- Lenco recommends the use of A-brand batteries.

Installing the backup memory battery

Open the battery compartment by pressing the cover in the direction of the arrow.

Place the CR2032 battery and close the cover. Please note that the battery should be placed in the same way as the original battery.



Establishing a Bluetooth® connection

Bluetooth® LED indicator information:

The Bluetooth® LED will burn continuously if the device is searching for a Bluetooth® device.

The Bluetooth® LED will blink if it is paired with a Bluetooth® device.

The Bluetooth® information of this product is:

Name: Lenco

Password / PIN: 0000

Before you start the configuration of the Bluetooth® connection, make sure that the Bluetooth® module on your smartphone or tablet is turned on.

Important note: *Some Bluetooth® devices might not be compatible with this device.*

- Turn on the tower by pressing the standby button on the remote control or tower.
- Go to Bluetooth® mode by pressing the BT button.
- Wait until the Bluetooth® indicator LED burns continuously.
- Search for Lenco on your smartphone or tablet and connect with it.
- If the pairing is successful the Bluetooth® indicator LED starts blinking.

Auto-pairing: When the Bluetooth® connection is lost, you can turn the device off and on to reconnect with the last paired smartphone or tablet. You can also switch to AUX mode by pressing the AUX button on the remote control or tower and then switch back to Bluetooth® mode by pressing the BT button on the remote control or tower.

Manual pairing: If you would like to pair/connect to another smartphone or tablet, press the BT button to enter Bluetooth® mode. In the first 30 seconds the device will search for the last paired Bluetooth® device. After these 30 seconds you can follow steps 4 and 5 to pair another smartphone or tablet.

Note: *If the tower cannot find any Bluetooth® device for an hour, the tower will automatically shut down.*

Basic operation

- Use the **standby button** on the tower or remote control to turn the unit on and off.
- **Volume + / - buttons** on the tower or remote control. Press + to increase the volume, press - to decrease the volume.
- **Mute button** on the tower or remote control. Press this button to turn off the volume. Press it again to turn on the volume.

Bluetooth®

All of the functions below only work when in Bluetooth® mode with another device paired to the tower.

Music playback

- Press the **play button** on the tower or remote control to start music playback.
- **▶▶ button**, press this button on the tower or remote control to go to the next song.
- **◀◀ button**, press this button on the tower or remote control to go to the previous song.
- **Volume + / - buttons**, press the volume + button on the tower or remote control to increase the volume. Press the volume – button on the tower or remote control to decrease the volume.
- **Mute button** on the tower or remote control. Press this button to turn off the volume. Press it again to turn on the volume.

FM Radio

When the device is enabled, press the radio button on the tower or remote control to enter the radio mode.

Finding channels:

Hold the tuning + / - buttons or the ◀◀ / ▶▶ buttons until the frequency on the display starts changing. The tower will now search for the nearest channel with a good reception. Once the channel is found, the tower will stop at this frequency.

To manually search, briefly press the tuning + / - buttons or the ◀◀ / ▶▶ buttons. Each press will change the frequency by 0.05mHz.

Saving channels:

Tune to the frequency that you want to save.

Press the MEM button on the remote control, the preset station number will start blinking on the display.

Use the CH + / - buttons to select the desired station number, once the desired channel has been reached, press the MEM button to save the channel.

Recalling preset stations:

Press the CH + / - buttons to browse through the preset stations. The number of the preset station will be displayed on the display briefly.

AUX

Use the AUX connection to connect external audio sources that don't support Bluetooth® to the tower. Press AUX on the tower or on the remote control to enter the AUX mode. When AUX mode is active you can only control the volume with the Lenco device. All other functions need to be operated from the external device.

Sleep timer

This feature will turn off the device after a preset time (of up to 90 minutes). To activate the sleep timer mode repeatedly press the zZ button on the remote control until the desired sleep time is reached. The sleep time can be set to 15, 30, 45, 60 and 90 minutes. Take note that the sleep timer doesn't turn off the external audio device.

Reset

If the device does not respond to the controls anymore, you can press the reset button with a thin object such as a paperclip. When the device is reset, the system memory is cleared and all settings will be erased.

System settings

Setting the display backlight level

Press the dimmer button on the remote control to adjust the backlight intensity. The intensity can be set to low or high.

Setting the clock

1. Press the mode button on the remote control to select the desired clock format.
2. Press the ◀◀ / ▶▶ buttons to select the 12 or 24 hour clock.
3. Press mode to set the hours and minutes.
4. Press the ◀◀ / ▶▶ buttons to set the hours.
5. Use the volume + / - buttons to set the minutes.
6. Press mode and wait for a couple of seconds to save the settings.

Trouble shooting

Problem	Solution
The device does not turn on	Check if the adaptor is connected correctly.
No sound	Did u select the right source? (Bluetooth®, FM or AUX)
	Has the external audio source been setup correctly?
	Has the Bluetooth® device been paired?
	Press mute.
	Press volume +.
The remote control does not function	Are you within operating range?
	In strong light (outdoor) the remote control may not work properly.
	Replace the battery.
The device does not respond	Reset the unit.

Safety instructions

IMPORTANT SAFETY INSTRUCTIONS - READ CAREFULLY BEFORE USE.



CAUTION

RISK OF ELECTRICAL SHOCK

DO NOT OPEN



CAUTION: TO PREVENT AN ELECTRICAL SHOCK, DO NOT REMOVE ANY COVER SCREWS. THERE ARE NO USER SERVICEABLE PARTS INSIDE. REQUEST A QUALIFIED SERVICE PERSON TO PERFORM SERVICING.



This symbol indicates that there are important operating maintenance instructions in the user manual accompanying this device.



This symbol indicates that dangerous voltage is present within this device, constituting a risk of electric shock or personal injury.

Keep these instructions in mind:

- Do not use this device near water.
- Clean only with a slightly damp cloth.
- Do not cover or block any ventilation opening. When placing the device on a shelf, leave 5 cm (2") free space around the whole device.
- Install in accordance with the supplied user manual.
- Don't step on or pinch the power cord. Be very careful, particularly near the plugs and the cable's exit point. Do not place heavy items on the power cord, which may damage it. Keep the entire device out of children's reach! When playing with the power cable, they can seriously injure themselves.
- Unplug this device during lightning storms or when unused for a long period.
- Keep the device away from heat sources such as radiators, heaters, stoves, candles and other heat-generating products.
- Avoid using the device near strong magnetic fields.
- Electrostatic interference may interfere with the normal use of this device. If this occurs, reset the device and restart it according to the instructions in the user manual. During file transfer, handle with care and in a static-free environment.

Safety instructions - continued

- **WARNING! NEVER INSERT AN OBJECT INTO THE PRODUCT THROUGH THE VENTS OR OPENINGS. HIGH VOLTAGE FLOWS THRU THE PRODUCT AND INSERTING AN OBJECT CAN CAUSE ELECTRIC SHOCK AND/OR SHORT CIRCUIT INTERNAL PARTS. FOR THE SAME REASON, DO NOT SPILL WATER OR LIQUID ON THE PRODUCT.**
- Do NOT use in wet or moist areas such as bathrooms, steamy kitchens or near swimming pools.
- Do not use this device when condensation may occur.

This device is produced according to all current safety regulations. The following safety tips should safeguard users against careless use and dangers involved with such use.

- Although this device is manufactured with the utmost care and checked several times before leaving the factory, it is still possible that problems may occur, as with all electrical appliances. If you notice smoke, an excessive build-up of heat or any other unexpected phenomena, you should disconnect the plug from the main power socket immediately.
- This device must be well ventilated at all time!
- This device must operate on a power source as specified on the specification label. If you are not sure of the type of power supply used in your home, consult your dealer or local power company.
- The socket outlet must be installed near the equipment and must be easily accessible.
- Do not overload AC outlets or extension cords. Overloading can cause fire or electric shock.
- Devices with a Class II adaptor do not need a earthed connection.
- Keep away from rodents. Rodents enjoy biting on power cords.
- Always hold the plug when pulling it out of the main supply socket. Do not pull the power cord. This can cause a short circuit.
- The screen is made of plastic and can break when damaged. When broken, be careful with sharp edged plastic splinters to avoid injury.
- Avoid placing the device on any surfaces that may be subject to vibrations or shocks.
- To protect the device during a thunderstorm, unplug the AC power cable.
- When the device is not in use for long periods, unplug the AC power cable for safety reasons.
- Do NOT knock on, press, hit or shake the screen as you may damage the internal circuits.
- To clean the device, use a soft dry cloth. Do NOT use solvents or petrol based fluids. To remove severe stains, you may use a damp cloth with dilute detergent.



WARNING: Long-term exposure to loud sounds may lead to temporary or permanent hearing impairment.

Declaration of Conformity



Products with the CE marking comply with the EMC Directive (2004/108/EC) and the Low Voltage Directive (2006/95/EC) issued by the Commission of the European Community.

Do not distribute copyright-protected material

Do not distribute copyright-protected material without the permission of the content owners. Doing this may violate copyright laws. The manufacturer is not liable for any legal issues caused by the user's illegal use of copyrighted material.

Keep your personal and important data safe

1. When you want to dispose of your device reset your device to prevent misuse of your personal information.


Disclaimer

Some content and services accessible through this device belong to third parties and are protected by copyright, patent-, trademark- and/or other intellectual property laws. Such content and services are solely provided for your personal and non-commercial use. You may not use any content or services in a manner that has not been authorized by the content owner or service provider. Without limiting the foregoing, unless expressly authorized by the applicable content owner or service provider, you may not modify, copy, republish, upload, post, transmit, translate, sell, or create derivative works, exploit, or distribute in any manner or medium any content or services displayed through this device.

THIRD PARTY CONTENT AND SERVICES ARE PROVIDED 'AS IS.' LENCO

DOES NOT WARRANT CONTENT OR SERVICES SO PROVIDED, NEITHER EXPRESSLY NOR IMPLIED, FOR ANY PURPOSE. LENCO EXPRESSLY DISCLAIMS ANY IMPLIED WARRANTIES, INCLUDING BUT NOT LIMITED TO, WARRANTIES OF MERCHANTABILITY OR FITNESS FOR A PARTICULAR PURPOSE. LENCO DOES NOT GUARANTEE THE ACCURACY, VALIDITY, TIMELINESS, LEGALITY, OR COMPLETENESS OF ANY CONTENT OR SERVICE MADE AVAILABLE THROUGH THIS DEVICE. UNDER NO CIRCUMSTANCES, INCLUDING NEGLIGENCE, SHALL LENCO BE LIABLE. NEITHER IN CONTRACT, NOR TORT, FOR ANY DIRECT, INDIRECT, INCIDENTAL, SPECIAL OR CONSEQUENTIAL DAMAGES, ATTORNEY FEES, EXPENSES, OR ANY OTHER DAMAGES ARISING OUT OF, OR IN CONNECTION WITH, ANY INFORMATION CONTAINED IN, OR AS A RESULT OF THE USE OF ANY CONTENT OR SERVICE BY YOU OR ANY THIRD PARTY, EVEN IF ADVISED OF THE POSSIBILITY OF SUCH.

Third party services may be terminated or interrupted at any time, and Lenco makes no representation or warranty that any content or service will remain available for any period. Content and services are transmitted by third parties by means of networks and transmission facilities over which Lenco has no control. Without limiting the generality of this disclaimer, Lenco expressly disclaims any responsibility or liability for any interruption or suspension of any content or service made available through this device. Lenco is neither responsible nor liable for customer service related to the content and services. Any question or request for service relating to the content or services should be made directly to the respective content and service providers.

sonic emotion and  are registered trademarks of sonic emotion ag.

Service and support

For information and support: www.lenco.eu

Lenco helpdesk:

Germany	0900-1520530	(Local charges)
The Netherlands	0900-23553626	(Local charges + 1ct P/min)
Belgium	02-6200115	(Local charges)
France	0170480005	(Local charges)

The helpdesk is accessible from Monday to Friday from 9 AM till 6 PM.

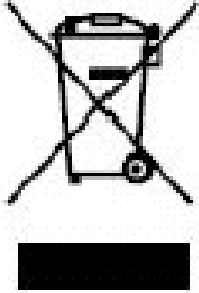
In case your device needs repair, our helpdesk will redirect you to your local dealer.

Lenco offers service and warranty in accordance to European law, which means that in case of repair (both during and after the warranty period), you should contact your local dealer.

Please note: It is not possible to send products to directly Lenco for repair.

Important note: If this device will be opened, or accessed in any way by a non-official service center, the warranty expires immediately.

End of life



This symbol indicates that the relevant electrical product or battery can't be disposed as general household waste in Europe. To ensure the correct waste treatment of this device and the battery, please dispose them in accordance to any applicable local laws of requirement for disposal of electrical equipment and batteries. In doing so, you will help to conserve natural resources and improve standards of environmental protection in treatment and disposal of electrical waste (Waste Electrical and Electronic Equipment Directive).

When you see a crossed-out wheeled waste container on the product, it means that the product falls under the EU directive 2002/96/EC.

