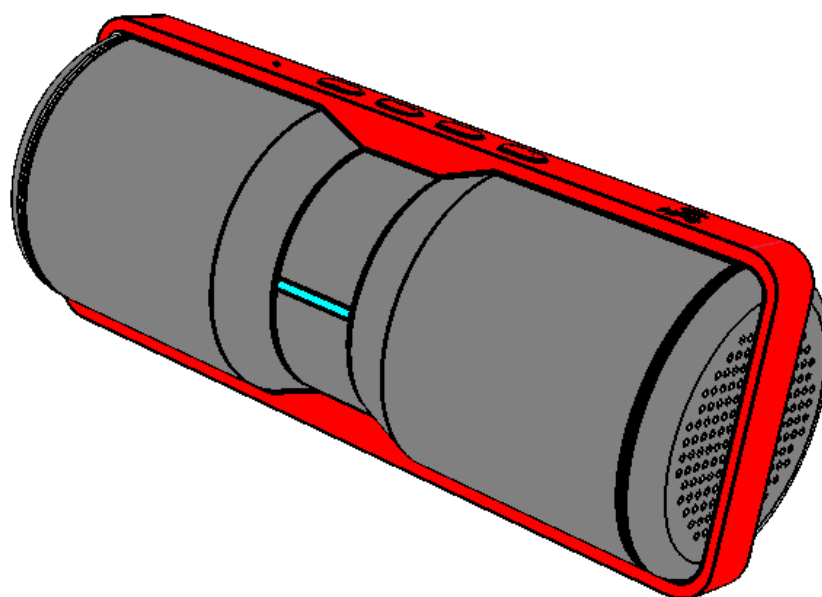


Lenco

USER'S MANUAL

Boost-4

Bluetooth Stereo Speaker with Aux Input & NFC



Splash-proof

For more information: www.lenco.com

A. Warning

Don'ts

- Do not place naked flames, such as lighted candles on or near the product.
- Do not place objects filled with liquids, such as vases on or near the product.
- Do not use or store this product in a place where it is subject to direct sunlight, heat, excessive dust or vibration.
- Do not use this product with wet hands.
- Do not block or cover the slots and holes in the product.
- Do not push foreign objects into the slots or holes in the product.
- Do not attempt to open this product yourself. There are no user serviceable parts inside.
- Do not allow children access to plastic bags.

Safety Instructions

Before using this product, read and follow all warnings and instructions.

- This product is not intended for use by young children. Young children should be properly supervised.
- This product is intended for household use only and not for commercial or industrial use.
- No naked flame sources, such as lighted candles, should be placed on the product.
- Ventilation should not be impeded by covering ventilation openings with items such as newspapers, table cloths, curtains and the like.
- Make sure the unit is adjusted to a stable position. Damage caused by using this product in an unstable position or by failure to follow any other warning or precaution contained within this user manual will not be covered by warranty.
- Never remove the casing of this apparatus.
- Never place this apparatus on the other electrical equipment.

We, suggest retaining the packaging in case for future transport of the product.

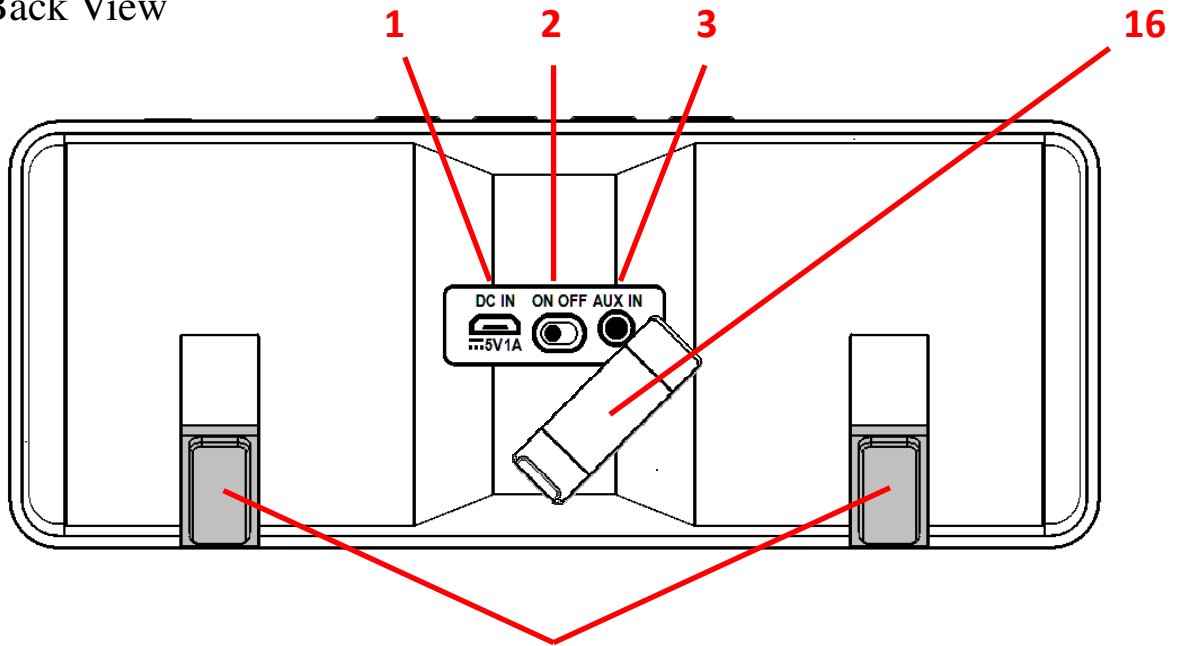
WARNING:



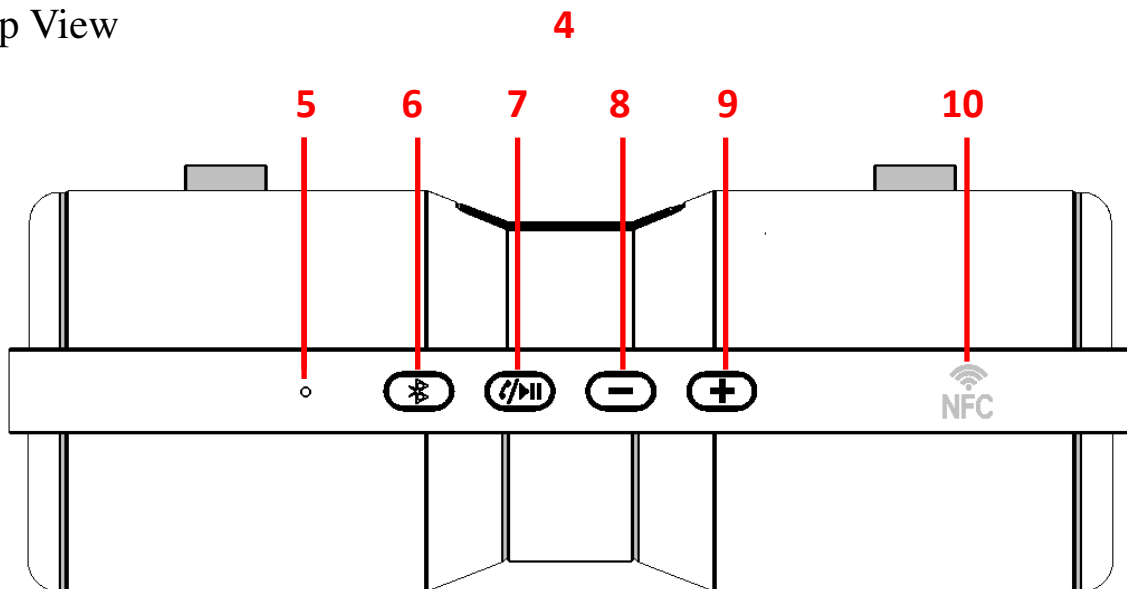
- Never remove the casing of this apparatus.
- Never place this apparatus on the other electrical equipment.

B. Outlook and Controls

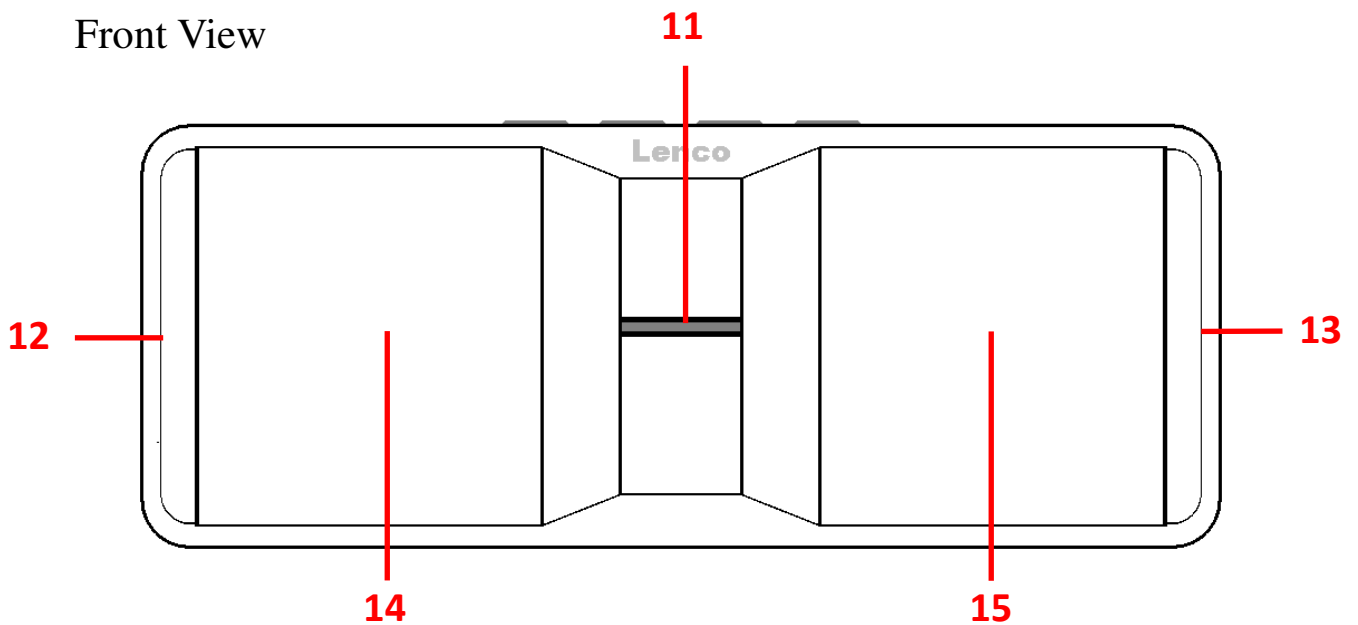
Back View



Top View



Front View



Item	Description
1	Micro USB socket (DC Input: DC 5V 1A)
2	Power Switch ON – OFF
3	AUX IN (3.5mm Jack, Stereo)
4	Foot Stand
5	MIC Position (for hand-free)
6	🔊 Button (for Bluetooth Searching)
7	▶/⏸ Button (Play/Pause, Pick up/Hang up call/Last dialed, AUX)
8	– Button (Volume down, Previous track)
9	+ Button (Volume up, Next track)
10	NFC Sensor Position (for Bluetooth pair)
11	Mode LED (3 in 1; Charge-Red, Bluetooth-Blue, AUX IN-Green)
12	Left Bass Radiator (Passive Speaker)
13	Right Bass Radiator (Passive Speaker)
14	Left Speaker
15	Right Speaker
16	Rubber Seal Cover (for splash-proof)

C. About the rechargeable Battery

This Bluetooth Speaker has an internal, non-user-replaceable battery. For best results, the first time you use this Bluetooth Speaker, let it charge for about 6 hours or until the charging LED indicator light from On to off which show you the battery is fully charged.

For maintain the battery life and performance, if speaker isn't used for a while, the battery might need to be recharged. Charge the battery at least once every month.

To charge the rechargeable battery:

1. Connect the Bluetooth Speaker's "**Micro USB socket (1)**" with the USB power charger which able to provides output at least DC 5V 1A for charge connection via the USB cable. Or,
2. Connect the Bluetooth Speaker's "**Micro USB socket (1)**" with the Computer's USB port which is USB 3.0 standard.
3. The "**Charge (11)**" LED will turn On in red, the battery is in charging.
4. The "**Charge (11)**" LED will turn Off when the rechargeable battery is fully charged.
5. Disconnect the USB cable when it is done.

Important:

- *Only use charge function if you connected the Bluetooth Speaker to USB 2.0 port of the computer. (it need longer time to charge the battery fully)*
- *The Bluetooth Speaker may works unstable if you use USB 2.0 port of computer for charging and music playing function together. Use USB 3.0 port to instead in this case.*

D. Power ON and Pairing

1. Slide the **“Power Switch (2)”** to **“ON”** position to turn On the device, the Bluetooth searching / reconnect function are open;
2. A series of tones will sound and the **“Bluetooth (11)”** LED is fast blinking in blue.
3. Then, activate the Bluetooth function in your Bluetooth device (such as Mobile Phone or Personal Computer); the device will enter to Bluetooth searching mode automatically, if not, tap the relate selection to manually enter to searching mode. (refer to your device’s manual when necessary)
4. Your Bluetooth device should show **“Lenco Boost-4”** in list, and then select it for pairing. Waiting for some seconds and you will see connected message as shown on your mobile device. (For some Bluetooth devices, you may need to input **“0000”** as pairing password)
5. If pairing is successful, a tone will sound and the **“Bluetooth (11)”** LED will keep lighting blue from blinking.
6. Now, you can start to music play from the mobile device by its music player program.
7. Slide the **“Power Switch (2)”** to **“OFF”** position to turn Off the device when it is not in use.


E. Disconnect from paired device

1. To disconnect with paired device and for better result, turn Off the Bluetooth Speaker by slide the **“Power Switch (2)”** to **“OFF”** directly;
2. Or, you can choose **“Disconnect”** from Bluetooth paired device list on your mobile device;
3. In this case; the Bluetooth Speaker will turn back into **“Searching / Pairing”** mode in seconds, a series of tones will sound and the **“Bluetooth (11)”** LED will turn to fast blinking in blue from lighting.
4. Now, you can process for new mobile device pair or power Off the Bluetooth Speaker if you wanted.

F. Auto reconnect with paired device

1. Every time you turn On the Bluetooth Speaker’s power; it will firstly searching for the mobile device which has been paired previously and still in record;
2. The Bluetooth Speaker will reconnect this mobile device as priority if it in Bluetooth searching device mode and in connection range.
3. If no device found in some seconds, then the Bluetooth Speaker will automatically turn into pairing mode.
4. Now you can process for new mobile device pair. (refer to item D.3 ~ D.6 methods)

G. Switch to new pairing from connected mode

1. In Bluetooth connected mode, you can switch the Bluetooth Speaker into Bluetooth searching mode for pairing with the new device at any time you desired;
2. Press and hold the “ (6)” button until a series of tones sound and the “**Bluetooth (11)**” LED will turn to fast blinking in blue from lighting.
3. Now you can process for new mobile device pair. (refer to item D.3 ~ D.6 methods)

H. Use NFC for fast Bluetooth pairing

a. On Bluetooth Speaker:

1. Slide the “**Power Switch (2)**” to “**ON**” position.
2. Make sure that the NFC detection mark “ (10)” is at the right place to touch.

b. On Mobile Phone:


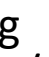


1. Make sure that the mobile phone has the NFC function turned on and the screen is active (unlocked).
2. Touch the mobile device NFC sensor on the Bluetooth Speaker’s NFC detection mark. Keep touching until the mobile device vibrates and or sound. (When the devices connect, some mobile phone may pop up a dialog box to confirm on it screen)
3. After pairing is successful; from Bluetooth speaker, a tones will sound and the “**Bluetooth (11)**” LED will keep lighting in Blue from blinking.
4. To disconnect the Bluetooth Speaker from an NFC connected phone, touch it with the mobile device again.

Hint: If you cannot connect the unit, try the following:



- *Move the mobile phone slowly over the “NFC” mark of the Bluetooth Speaker.*
- *If the mobile phone is in case (especially metal), remove it from the case.*

I. Bluetooth Music Playing Controls (two way function)

a. On your Bluetooth Device:

1. Switch to music player menu and choose a music to start the play from playlist or by using “ / ” button/icon. Play/Pause the playing music by using “ / ” button/icon.
2. To adjust the volume level by using the device’s volume control “**Down / Up**” button/icon on your Bluetooth device. (refer to your device user’s manual when necessary)

b. On Bluetooth Speaker:

1. In playing music, press “ /  (7)” button to pause the playing music. Press it again to resume.

2. Press and hold the “+ (9)” button to increase the volume level.
3. Press and hold the “- (8)” button to decrease the volume level.
4. When maximum or minimum volume is reached, a beep sound will be heard.
5. Press the “+ (9)” button to change next music file play.
6. Press the “- (8)” button to change previous music file play.

J. Hand Free Function

1. When there is an incoming call during Bluetooth music playing mode;
2. The ringing sound will up and the playing music will pause automatically.
3. Press and hold “☞/▶ (7)” button to reject the call if you want. Or,
4. Press “☞/▶ (7)” button to pick up the call.
5. Now you have hand free function with the Bluetooth speaker.
6. Press “☞/▶ (7)” again to hang up the call when finished. And the paused music will resume automatically.

Tip: speak to the “MIC (5)” direct with distance in 30 ~ 60cm to get the best speakerphone performance when necessary.

K. Redial For Last Call Function

1. To redial for last called number by the Bluetooth Speaker, even it is in music playing mode.
2. Press twice the “☞/▶ (7)” button to enter into redial function, the playing will pause and switch to hand free function for redial.
3. Press the “☞/▶ (7)” Button again to hang up the redial call.
4. Make sure that your mobile phone has have last dial call used, if not, the redial for last call function cannot be activated.

L. Low Power Reminder And Auto Sleep

1. The Bluetooth Speaker will send tones sound out from speaker by every minute. When you heard this reminder, please connect the device to the USB power for charging, if you still want to use the device.
2. If not, the Bluetooth Speaker will power Off to sleep mode when the battery is keeping low energy level in some minutes.
3. In this case, the device cannot be turned On, until you recharging the battery at least 10 ~ 15 minutes, because the rechargeable battery has not enough energy.

M. Use AUX IN Function

In this design, the Bluetooth module give priority to Bluetooth function as master, the AUX In function is become slave, if Bluetooth has been connected and in playing mode.

a. Use AUX In under power ON mode: (Bluetooth un-paired)

1. Make sure that the external device has switched on and controlled to AUX output source with music playing.
2. Slide the “**Power Switch (2)**” to “**ON**” position to turn on the device;
3. Connect the Bluetooth Speaker’s “**AUX IN (3)**” jack with an external device’s “**Earphone / AUX / LINE**” jack output through the Audio cable.
4. The mode will switch to “**AUX IN**” function automatically and the “**AUX IN (11)**” LED will turn On in **green with blinking blue**. Now, the Bluetooth Speaker’s AUX In function is in use.

b. Use AUX In under Bluetooth music playing mode:

1. In Bluetooth music playing mode, connect the Bluetooth Speaker’s “**AUX IN (3)**” jack with an external device’s “**Earphone / AUX / LINE**” Output through the Audio cable. The “**AUX In (11)**” LED will turn On in **green with blue**.
2. In this case, the Bluetooth Speaker allow to switch over in between the “**AUX In**” mode and “**Bluetooth music playing**” mode by press the “**⏮/⏭ (7)**” button or tap the **⏭** icon on your mobile device.
3. However, the waiting time of mode change will taking about 3 ~ 10 seconds depending on mobile phone’s OS. (example: 3 seconds for Android’s mobile device or 10 seconds for iOS’s devices)
4. Or, press and hold the “**⏸ (6)**” button to quick switch to AUX IN mode if you want. The Bluetooth will disconnect automatically.
5. For Bluetooth reconnection, tap “**Lenco Boost-4**” in paired devices list on you mobile device.

Note: *the Bluetooth is staying at controlling mode at behind, so that the Bluetooth mode LED is keep lighting or blinking in blue)*

c. To adjust volume level:

1. Pressing or press and hold “**— (8)**” button to decrease the volume.
2. Pressing or press and hold “**+ (9)**” button to increase the volume.

N. Splash-proof Handling

1. Make sure that the splash-proof “**Rubber Seal Cover (16)**” it tightens closed at the right position.
2. The Bluetooth Speaker can handle a brief jet of water on its surface (IPX4 Splash-proof). However, it should never be operated under running water and under no circumstance it should never be fully immersed in water.
3. Always wipe the Bluetooth Speaker surface thoroughly if it becomes wet with moisture or water splashes. This will help to prevent the internal parts of the unit from entry of water and possible moisture damage.

O. Trouble Shooting	
No power	<ul style="list-style-type: none"> • Check battery is it charged with enough energy. • Check whether the device is in power OFF mode.
No sound	<ul style="list-style-type: none"> • Check whether volume level is in lower position on your Bluetooth speaker and mobile device. • Make sure that your Bluetooth device is within the effective operation range. • Check whether the Bluetooth device is paired. • Check whether the Bluetooth device show connected. • Check if you have selected the correct audio source.
No response from speaker	<ul style="list-style-type: none"> • Restart the speaker by power Off and On.

P. Specification		
Dimension	179 mm (L) x 65 mm (D) x 70.5 mm (H)	
Weight	348g (Approximate)	
Bluetooth	Specification	V2.1 + EDR
	Supported Profile	A2DP, AVRCP, HSP
	Connection Distance	In 10 meters (open area)
Built-In Battery	Lithium 3.7V, 3000mAh	
	Playing Time: 6 ~ 8 Hours (at 75 ~ 80 % of volume setting)	
Power Source Input	Micro USB Port	
	DC 5V, 1000mA	
Audio	Output Power	3W (RMS) x 2 (4 Ohm)
	Frequency Responses	20Hz to 20,000Hz
I/O	Audio In Link	800mV RMS, 10K Ohm
NFC Connect	For Bluetooth pair	
Splash-proof	IPX-4	
Operating Temperature	0 to 40°C	

Q. Disclaimer

Updates to Firmware and/or hardware components are made regularly. Therefore some of the instruction, specifications and pictures in this documentation may differ slightly from your particular situation. All items described in this guide for illustration purposes only and may not apply to particular situation. No legal right or entitlements may be obtained from the description made in this manual.

R. Service and Support

For information: www.lenco.com

For support: <http://lencosupport.zendesk.com>

Lenco helpdesk:

Germany 0900-1520530 (Local charges)

The Netherlands 0900-23553626 (Local charges + 1ct p/min)

Belgium 02-6200115 (Local charges)

France 03-81484280 (Local charges)

The helpdesk is accessible from Monday till Friday from 9 AM till 6 PM. When contacting Lenco, you will always be asked for the model and serial number of your product. The serial number can be found on the back of the device. Please write down the serial number below:

Model: Boost-4

Serial number: _____

Lenco offers service and warranty in accordance to European law, which means that in case of repairs (both during and after the warranty period) you should contact your local dealer.

Important note: It is not possible to send products that need repairs to Lenco directly.

Important note: If this unit is opened or accessed by a non-official service center in any way, the warranty expires.

This device is not suitable for professional use. In case of professional use, all warranty obligations of the manufacturer will be voided.

S. Recycling



This symbol indicates that the relevant electrical product or battery should not be disposed of as general household waste in Europe. To ensure the correct waste treatment of the product and battery, please dispose them in accordance to any applicable local laws of requirement for disposal of electrical equipment or batteries. In so doing, you will help to conserve natural resources and improve standards of environmental protection in treatment and disposal of electrical waste (Waste Electrical and Electronic Equipment Directive).

T. CE Marking



Products with the CE marking comply with the EMC Directive (2004/108/EC) and the Low Voltage Directive (2006/95/EC) issued by the Commission of the European Community.

Hereby, STL Group BV, Ankerkade 20 NL 5928 PL Venlo, declares that this product is in compliance with the essential requirements and other relevant provisions of Directive 1999/5/EC.

The declaration of conformity may be consulted at

<https://lencosupport.zendesk.com/forums/22413161-CE-Documents>

This product operates at 2400 - 2483.5 MHz and is designated only to be used inside a normal household environment. This product is suited for this purpose within all EU counties.

®All rights reserved