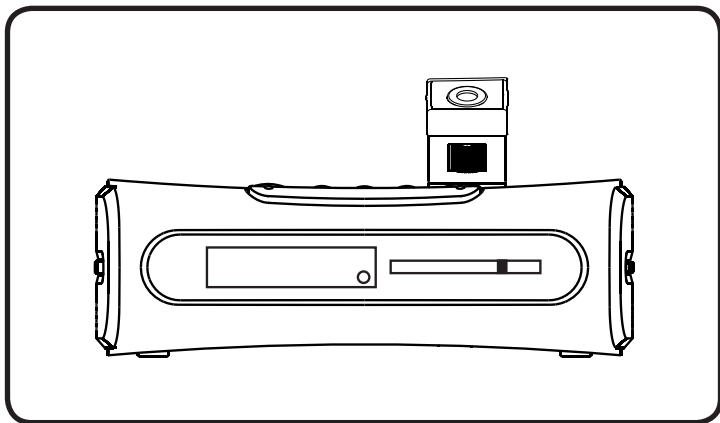


Lenco

**DIGITAL ALARM CLOCK RADIO
WITH TIME PROJECTOR**

CR-3301



INSTRUCTION MANUAL

For information and support, www.lenco.eu

CE

WARNINGS

CAUTION

**RISK OF ELECTRIC SHOCK
DO NOT OPEN**

ATTENTION

To reduce the risk of electric shock, do not remove the cover.
There are no user serviceable parts inside the unit. Refer all servicing to qualified personnel.



The lightning flash with arrowhead symbol within the triangle is a warning sign alerting the user of "dangerous voltage" inside the unit.



The exclamation point within the triangle is a warning sign alerting the user of important instructions accompanying the product.

WARNING

To reduce the risk of fire or electric shock, do not expose this appliance to rain or moisture.

IMPORTANT

**DO NOT THROW BATTERIES IN FIRE !
THE APPARATUS SHALL NOT BE EXPOSED TO DRIPPING OR SPLASHING.**

ENSURE A MINIMUM DISTANCE OF 5 CM AROUND THE APPARATUS FOR SUFFICIENT VENTILATION.

ENSURE THAT THE VENTILATION IS NOT IMPEDED BY COVERING THE VENTILATION OPENINGS WITH ITEMS, SUCH AS NEWSPAPERS, TABLE-CLOTHS, CURTAINS, ETC..

DO NOT PLACE NAKED FLAME SOURCES, SUCH AS LIGHTED CANDLES ON THE APPARATUS.

TAKE ATTENTION TO THE ENVIRONMENTAL ASPECTS OF BATTERY DISPOSAL.

USE THE APPARATUS ONLY IN MODERATE CLIMATES (NOT IN TROPICAL CLIMATES).

DO NOT EXPOSE THE APPARATUS TO DRIPPING OR SPLASHING.

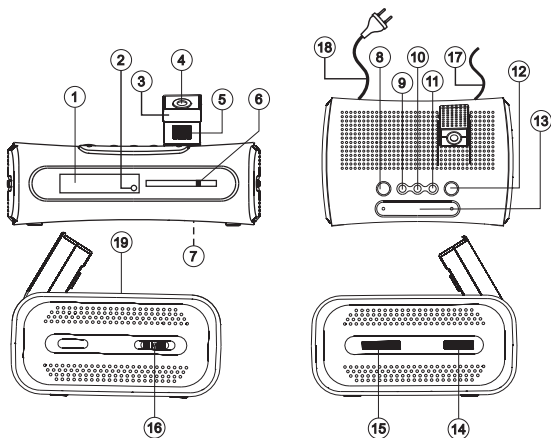
DO NOT PLACE OBJECTS FILLED WITH LIQUIDS, SUCH AS VASES, ON THE APPARATUS.

BATTERY SHALL NOT BE EXPOSED TO EXCESSIVE HEAT SUCH AS SUNSHINE, FIRE OR THE LIKE.

THE MARKING INFORMATION IS LOCATED AT THE BOTTOM OF APPARATUS.

The mains plug shall remain readily operable.

In case of malfunction due to electrostatic discharge, the apparatus has to be reset by disconnecting it from mains supply.



LOCATIONS OF PARTS AND CONTROLS



- | | |
|------------------------|-----------------------------|
| 1. LED display | 10. Hour button |
| 2. Alarm Indicator | 11. Minute button |
| 3. Time Projector | 12. Standby button |
| 4. Time Projector Lens | 13. Snooze/Sleep button |
| 5. Focus Control | 14. Volume control |
| 6. Dial scale | 15. Tuning control |
| 7. Battery compartment | 16. Function switch |
| 8. Alarm set button | 17. Wire Antenna |
| 9. Time set button | 18. 230V power supply cable |
| | 19. Speaker |

POWER SUPPLY

This unit is designed to operate from AC230~50Hz household mains supply. The 9V type (1x006p) battery is used for clock back up only.

Note: When inserted a back up battery the unit will conserve the settings during power outage. the disconnect device shall remain readily operable.

LISTEN TO THE RADIO

1. Press the  Standby button.
2. Adjust the Volume Control into the desired listening level and select your favourite station with the Tuning Control.
3. To turn off the radio, press the  Standby button again.

TO SET THE TIME

1. Press and hold the Time set button.
2. Press the Hour button to set hours.
3. Press the Minute button to set minutes.
4. Release the Time set button. The correct time is shown on the display.

TO SET THE ALARM

1. Press and hold the Alarm set button while repeating step 2 and 3 described under " TO SET THE TIME" to set the desired wake-up time.
2. To check the correct alarm time, press the Alarm set button.



USING THE RADIO / BUZZER ALARM

1. Set the alarm as shown in "TO SET THE ALARM".
2. Follow the procedure in "LISTEN TO THE RADIO" to tune the desired station.
3. Set the Volume Control to your required listening level.
4. Slide the Function Switch to "AUTO" position. The radio will turn on to wake you up at the preset time.
5. To wake to the buzzer instead of the radio, set the alarm as shown in "TO SET THE ALARM". Slide the Function Switch to "BUZZER" position. The buzzer will turn on to wake you up at the preset time.
6. To turn off the radio or buzzer, slide the Function Switch to "OFF" position or press the Alarm set button.

SNOOZE FUNCTION

When the radio or buzzer sounds, press the Snooze button to switch off the alarm. Approximately 9 minutes later, the alarm will switch on again. This snooze cycle will be activated up to 5 times within an hour period. To stop the snooze cycle, slide the Function switch to "OFF" position or press Alarm set button.

SLEEP FUNCTION

1. To fall asleep while listening to music, press the SNOOZE / SLEEP button.
2. To adjust the radio's sleep function to play from 90, 60, 30 to 15 minutes of music before shutting itself off automatically, OFF = sleep timer off

90 → 60 → 30 → 15 → OFF

Time projector

This projector allows to project the clock time onto the ceiling or wall to view the clock time when a room is dark.

Turn on/ off the projector

When the time projector is raised the projector will turn on automatically. Raised down the projector will turn off automatically.

Adjust the visibility of the projector

This time projector can be rotated forwards or backwards to project the time onto the ceiling or wall. Once placed the projector in the desired position, rotate the FOCUS dial to adjust the focus.

Note:

1. The room must be dark.
2. Although the time projector light intensity is low, do not look at the lens of the time projector from where the time is projected.

ANTENNA

The FM radio has a flexible wire antenna on the back side of the unit, uncoil the wire and extend to its full length for best reception.

SPECIFICATIONS

Power Source:	AC : 230V ~ 50Hz DC : 9V backup (1x006P)
Frequency range:	FM : 87.5 - 108 MHz
Power Consumption	4 W
Dimension:	177(L) x 119(D) x 58 (H) mm
Weight:	0.57kg

Due to continuing improvement, the features and the design are subject to change without notice.

Where to place the item :

Today's furniture is coated with a wide variety of lacquers and synthetic-coatings that are treated with an extensive range of cleaning products. Therefore, the possibility that some of these substances contain components that react adversely to the rubber feet of the item and soften them, cannot be completely excluded. The rubber feet of the appliance can cause discoloring to furniture surfaces. If necessary, place the appliance on a non-slide surface.



If at any time in the future you should need to dispose of this product please note that Waste electrical products should not be disposed of with household waste. Please recycle where facilities exist. Check with your Local Authority or retailer for recycling advice. (Waste Electrical and Electronic Equipment Directive)

For information and support, www.lenco.eu

