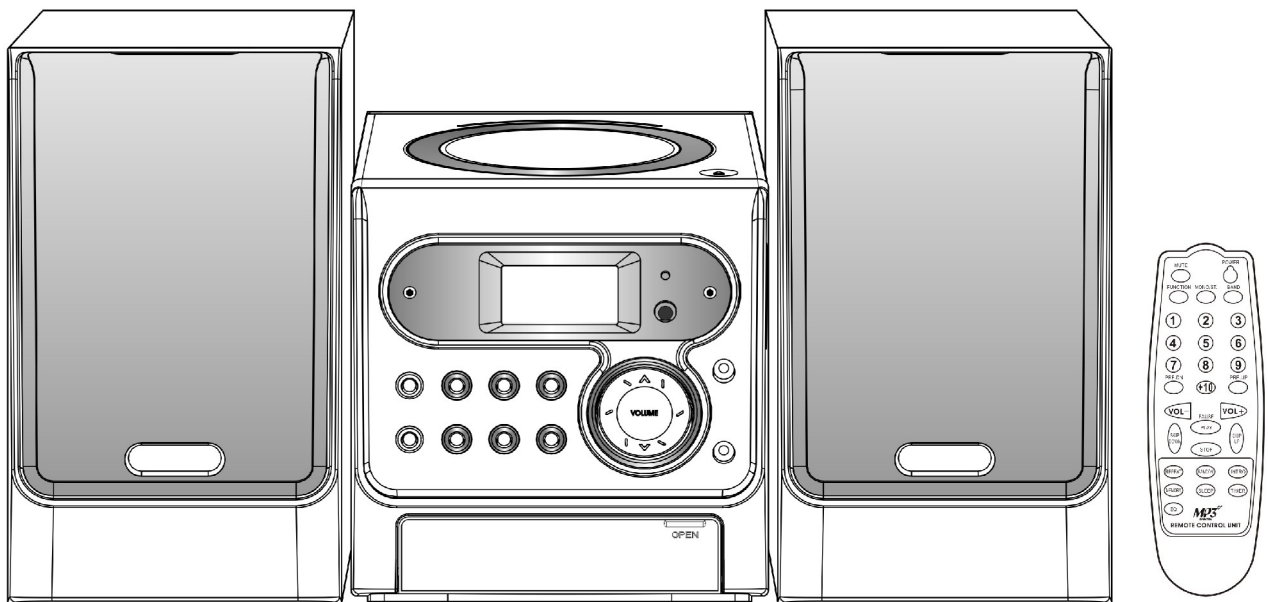


STEREO CD/MP3 MICRO SYSTEM WITH USB/SD PLL RADIO WITH RDS

MC-4100 USB

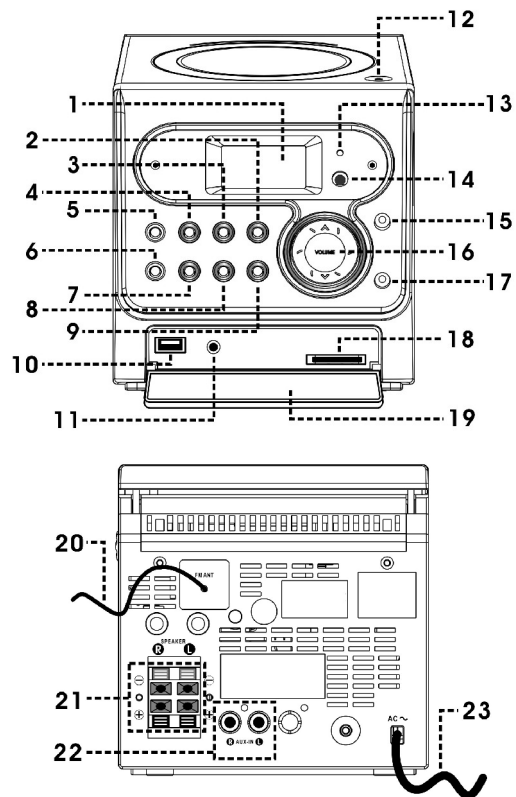


INSTRUCTION MANUAL



LOCATION OF CONTROLS

- 1) LCD DISPLAY
- 2) CD PLAY/PAUSE ►|| BUTTON
- 3) CD STOP ■ BUTTON
- 4) MEMORY/CLOCK ADJUST BUTTON
- 5) FUNCTIONS SELECTOR
- 6) BAND SELECTOR BUTTON
- 7) PRE-UP FUNCTION BUTTON
- 8) CD SKIP / RADIO TUNING DOWN ◀◀BUTTON
- 9) CD SKIP / RADIO TUNING UP ▶▶|BUTTON
- 10) USB SOCKET
- 11) STEREO HEADPHONE JACK
- 12) CD DOOR OPEN BUTTON
- 13) STANDBY LED INDICATOR
- 14) REMOTE SENSOR
- 15) POWER ON/STANDBY BUTTON
- 16) VOLUME UP/DOWN BUTTON
- 17) PRESET EQ BUTTON
- 18) MEMORY CARD SLOT
- 19) USB/CARD SLOT COVER
- 20) FM WIRE ANTENNA
- 21) SPEAKER WIRE CONNECTOR (L/R)
- 22) AUXILIARY INPUT JACK
- 23) AC POWER CORD



CAUTION:

USAGE OF CONTROLS OR ADJUSTMENTS OR PERFORMANCE OF PROCEDURES OTHER THAN THOSE SPECIFIED HEREIN MAY RESULT IN HAZARDOUS RADIATION EXPOSURE. THIS UNIT SHOULD NOT BE ADJUSTED OR REPAIRED BY ANYONE EXCEPT QUALIFIED SERVICE PERSONNEL.

IMPORTANT:

SINCE MOVEMENT OF THE CD MECHANISM AND THE SENSITIVE CIRCUITRY MAY CAUSE INTERFERENCE TO THE RADIO TUNER NEARBY, SWITCH THIS UNIT OFF WHILE OPERATING OTHER RADIO DEVICES.

PRECAUTIONS FOR USE

INSTALLATION

- UNPACK ALL PARTS AND REMOVE PROTECTIVE MATERIAL.
- DO NOT CONNECT THE UNIT TO THE MAINS BEFORE CHECKING THE MAIN VOLTAGE AND BEFORE ALL OTHER CONNECTIONS HAVE BEEN MADE.
- DO NOT COVER ANY VENTS AND MAKE SURE THAT THERE IS A SPACE OF SEVERAL CENTIMETERS AROUND THE UNIT FOR VENTILATION.

CONNECTION

1. CONNECT THE POWER CORD TO AC OUTLET
2. WHEN YOU FIRST PLUG THE UNIT INTO THE MAINS, THE UNIT WILL GO INTO STANDBY MODE AND THE LED INDICATOR (13) WILL LIGHT UP, THE DISPLAY WILL SHOW " - - - : - - - " AND FLASHING.
3. CONNECT THE SPEAKER WIRE TO THE SPEAKER TERMINAL (21) LOCATED ON THE REAR SIDE OF UNIT.
4. TURN ON THE POWER (15), IF THE LCD DISPLAY IS ON WITH BACKLIGHTING, IT MEANS THE POWER SUPPLY IS NORMAL. NOW YOUR SYSTEM IS READY TO PLAY THE MUSIC.

SETTING THE CLOCK

1. SET UNIT IN STANDBY MODE.
2. PRESS & HOLD THE "MEM/CLK-ADJ" BUTTON (4) FOR FEW SECONDS, THE DISPLAY WILL START FLASHING. PRESS ◀◀ OR ▶▶| BUTTON (8,9) TO SELECT THE APPROPRIATE AREA HOUR (12H/24H)
3. PRESS "MEM/CLK-ADJ" BUTTON (4) AGAIN, THE FIRST SECOND DIGIT OF "0" IS FLASHING. PRESS ◀◀ OR ▶▶| BUTTON (8,9) TO SET THE CORRECT HOUR. PRESS "MEM/CLK-ADJ" BUTTON (4) TO STORE THE CORRECT HOUR.
4. THE THIRD FOURTH DIGIT OF "00" IS FLASHING, PRESS THE ◀◀ OR ▶▶| BUTTON (8,9) TO SET THE CORRECT MINUTES. THEN PRESS "MEM/CLK-ADJ" (4) TO STORE THE CORRECT MINUTE.

- **THE PRE-SET TIME WILL BE RE-SET COMPLETELY IF DIS-CONNECTING THE MAIN POWER SUPPLY. YOU ARE RECOMMENDED TO SWITCH THE SYSTEM INTO STANDBY MODE FOR CONVENIENCE USAGE.**

LISTENING TO RADIO

MANUAL TUNING

1. PRESS FUNCTION BUTTON (5) TO SELECT "TUNER" MODE.
2. PRESS "BAND" BUTTON (3) TO SELECT DESIRED BAND (AM/MW OR FM).
3. TUNE TO THE REQUIRED STATION BY PRESSING THE TUNING "▲" OR "▼" BUTTON (8,9).
4. ADJUST VOLUME CONTROL (16) TO THE DESIRED VOLUME LEVEL.

AUTO TUNING

1. PRESS FUNCTION BUTTON (5) TO SELECT "TUNER" MODE.
2. PRESS "BAND" BUTTON (3) TO SELECT DESIRED BAND (AM/MW OR FM).
3. PRESS AND HOLD THE TUNING "▲" OR "▼" BUTTON (8,9) FOR 1-2 SECONDS AND THEN RELEASE.
4. THE UNIT WILL START SEEKING AUTOMATICALLY AND STOP UNTIL A RADIO STATION IS REACHED.
5. REPEAT STEP 3 & 4 UNTIL THE DESIRED RADIO STATION IS BEING REACHED.
6. ADJUST VOLUME CONTROL (16) TO THE DESIRED VOLUME LEVEL.

PRESET STATIONS

YOU CAN STORE UP TO 40 RADIO STATIONS IN THE MEMORY (30-FM/10-AM).

1. SET TO TUNER MODE.
2. TURN TO THE DESIRED RADIO STATION BY "MANUAL" OR "AUTO" TUNING METHOD.
3. PRESS "MEM/CLK-ADJ" BUTTON (4) TO ENABLE PROGRAM STATE & "MEMORY" INDICATOR IS FLASHING ON LCD (1)
4. PRESS "REP -UP" BUTTON (7) TO SELECT THE DESIRED STATION MEMORY FOR STORAGE.
5. PRESS "MEM/CLK-ADJ" BUTTON (4) AGAIN TO CONFIRM THE SETTING.
6. REPEAT STEP 2 TO 5 TO STORE OTHER STATIONS.
7. TO RETURN NORMAL TUNER MODE, LEAVE KEYS FREE.
8. NOW YOU CAN SELECT THE PRESETS STATIONS IN ORDER BY PRESSING THE "REP -UP" BUTTON (7) OR PRE-DN BUTTON (AT REMOTE HANDSET)

- **THE PRE-SET MEMORIES WILL BE CANCELLED COMPLETELY IF DIS-CONNECTING THE MAIN POWER SUPPLY. YOU ARE RECOMMENDED TO SWITCH THE SYSTEM INTO STANDBY MODE FOR CONVENIENCE USAGE.**
- THERE ARE 10 SECONDS FOR PROGRAM STATE, AFTER 10 SEC. THIS STATE WOULD RESUME TO NORMAL TUNER MODE AUTOMATICALLY.
- YOU CAN OVERWRITE A PRESENT STATION BY STORING ANOTHER FREQUENCY IN ITS PLACE.

FM & FM-STEREO RECEPTION (BY REMOTE HANDSET)

- PRESS THE "MONO/ST." BUTTON AT REMOTE HANDSET REPEATEDLY, THE FM PROGRAMS ARE RECEIVING IN MONO AND STEREO MODE REPEATEDLY. IN PARTICULAR WHEN STEREO SIGNALS ARE WEAK. IT IS PREFERABLE TO RECEIVE THE PROGRAM IN MONO.
- IF STEREO SIGNAL IS BEING RECEIVED, THE "ST" INDICATOR " **(ST)** " WILL APPEAR ON LCD (1) TO SHOW FM STEREO PROGRAM IS NOW RECEIVING.

HINTS FOR BEST RECEPTION:-

- AM : THE RECEIVER HAS A BUILD-IN AM BAR ANTENNA. IF AM RECEPTION IS WEAK, SLIGHT ROTATE OR RE-POSITIONING OF THE UNIT WILL USUALLY IMPROVE THE AM RECEPTION.
- FM : THE RECEIVER HAS A BUILD-IN FM WIRE ANTENNA (20) HANGING AT THE REAR CABINET. THIS WIRE SHOULD BE TOTALLY UNRAVELED AND EXTENDED FOR THE BEST RECEPTION.

RADIO DATA SYSTEM (RDS) – CONTROL BY REMOTE HANDSET

THIS IS THE FEATURES TO DISPLAY THE INFORMATION WHICH RELEASED FROM THE RADIO BROADCAST:-

RDS MODE : PRESS TO ACTIVE THE RDS FUNCTION AND DISPLY THE INFORMATION IN THE SEQUENCE OF STATION NAME (PS) → BROADCAST PROGRAM TYPE (PTY) → TEXT MESSAGE (RT) AND REPEATEDLY .

RDS SEL (SEARCH) : PRESS ONCE "PTY SEL" WILL DISPLAY, THEN PRESS TUNING UP/BACK BUTTON TO SELECT THE PROGRAM TYPE YOU WANT TO LISTEN. THEN PRESS AGAIN THE RDS SEL (SEARCH) BUTTON TO START RDS SEARCHING AND THE UNIT SEARCH ALL PRESETED STATIONS AND STOPS WHEN IT FINDS A STATION OF THE PROGRAM (PTY) YOUR HAVE SELECTED

REMARK : IF NO PRGORM IS FOUND, "NOT" AND "FOUND" ALTERNATELY APPEAR ON THE DISPLAY. NO "PS" NOR "PTY" APPEARS IF NO RDS SIGNAL IS SENT.

BROADCAST PROGRAMMES ARE CLASSIFIED AS FOLLOWS:

NEWS, AFFAIRS (current affairs), INFO (information), SPORT, EDUCATE (education), DRAMA, CULTURE, SCIENCE, VARIED, POP M (pop music), ROCK M (rock music), MOR M (middle of the road music), LIGHT M (light classical), CLASSICS (serious classical), OTHER M (other music), WHEATHER, FINANCE, CHILDREN, SOCIAL A, RELIGION, PHONE IN, TRALEISURE, JAZZ. COUNTRY, NATIONAL, OLDIES, FOLK M (folk music), DOCUMENTS.

NOTES

PROGRAMME SERVICE STATION NAME (PS)

THIS IS A NAME CONSISTING OF LESS THAN 8 ALPHANUMERIC CHARACTERS, WHICH IS DISPLAYED IN ORDER TO INFORM LISTENERS ABOUT THE PROGRAMME SERVICE BEING BROADCAST BY THE RADIO STATION. EXAMPLE: BBC 1

PROGRAMME TYPE IDENTIFICATION (PTY)

PTY ALLOWS SELECTION BY ONE OF 15 PROGRAMME TYPES RATHER THAN BY A STATION.

RADIO TEXT (TEXT)

INFORMATION SUCH AS THE CAST LIST OF A PLAY OR THE TITLE OF A SONG IS SHOWN ON THE DISPLAY.

PLAYING COMPACT DISC

● GETTING START

1. PRESS FUNCTION BUTTON (5) TO SELECT " CD " MODE.
2. PRESS "OPEN/CLOSE" BUTTON (12) TO OPEN THE CD DOOR.
3. PLACE A CD WITH THE PRINTED SIDE FACING UP INSIDE THE TRAY & THEN CLOSE THE CD DOOR.
4. FOCUS SEARCH IS PERFORMING, THE LCD DISPLAY (1) WILL SHOW THE TOTAL NUMBER OF TRACKS & TOTAL PLAYING TIME.

● PLAY / PAUSE MODE ►||

1. PRESS THE "PLAY/PAUSE" BUTTON (2) TO START PLAYBACK, THE FIRST TRACK WILL START PLAYBACK.
2. TO INTERRUPT, PRESS THE "PLAY/PAUSE" BUTTON (2) ONCE, AND THE PLAYING TIME WILL BE FREEZE & FLASHING ON THE LCD DISPLAY (1). PRESS AGAIN TO RESUME NORMAL PLAYBACK.

● STOP MODE ■

1. IF CD "STOP" BUTTON (3) IS PRESSED DURING PLAY OR PAUSE MODE, SYSTEM WILL GO TO STOP MODE.

● SKIP MODE (SKIP UP ►► / SKIP DOWN ◀◀)

1. DURING PLAY OR PAUSE MODE, IF "SKIP UP" BUTTON (9) IS PRESSED. IT WILL GO TO NEXT TRACK AND DISPLAY THE TRACK NO. AND THEN REMAIN THE PLAY OR PAUSE MODE.
2. DURING PLAY OR PAUSE MODE, IF "SKIP DOWN" BUTTON (8) IS PRESSED. IT WILL GO BACK TO THE BEGINNING OF THE TRACK, ORIGINAL TRACK NO. IS DISPLAY AND REMAIN THE PLAY OR PAUSE MODE.
3. AFTER STEP 2, PRESS "SKIP DOWN" BUTTON (8) AGAIN WILL GO TO THE PREVIOUS TRACK AND REMAIN THE PLAY OR PAUSE MODE.

● FOR MP3 DISC

1. PRESS " PRE-UP " (7) OR PRE-DN BUTTON, THE ALBUM NO. CHANGE
2. PRESS " SKIP UP " (9) OR SKIP DOWN (8) BUTTON, THE TRACK NO. CHANGE.
3. WHEN THE DESIRED TRACK IS BEING SELECTED, PRESS THE CD "PLAY/PAUSE" BUTTON (2) TO START PLAYBACK.

ID3 (TRACK/ALBUM TITLE) FUNCTION (BY REMOTE HANDSET)

1. PRESS AND HOLD THE " FIND " BUTTON DURING PLAY MODE, THE SONG TITLE IS BEING DISPLAYED. PRESS AND HOLD THE " FIND " BUTTON AGAIN TO DISABLE THE FUNCTION.

TITLE/ALBUM SEARCH FUNCTION (BY REMOTE HANDSET)

YOU CAN SEARCH THE TRACK BY THE TITLE/FOLDER NAME IN DISC:-

1. PRESS THE " FIND " BUTTON ONCE, THEN PRESS THE "SKIP UP" (SKIP DOWN) BUTTON (9 OR 8), YOU CAN SEARCH THE TITLE OF EACH SONG ONE BY ONE AND DISPLAY ON LCD, THEN PRESS THE CD " PLAY/PAUSE " BUTTON (2) TO START THE PLAYBACK OF THE SELECTED TRACK.
2. PRESS AGAIN " FIND " BUTTON, THE ALBUM NAME IS BEING DISPLAYED. THEN PRESS THE " PRE-UP " (7) OR PRE-DN BUTTON TO SELECT THE DESIRED ALBUM, AND PRESS THE CD " PLAY/PAUSE " BUTTON (2) TO START PLAYBACK OF ALL TRACKS INSIDE THAT SELECTED ALBUM.

REMARK:-

- IN THAT CASE OF NO NAME HAD BEEN ASSIGNED FOR THE TRACK, " NONE " OR " UN_KNOWN " IS BEING DISPLAYED" ON DISPLAY (1).
- IN THAT CASE OF NO ALBUM NAME OR NO ALBUM FORMAT IN THE DISC, " ROOT " IS BEING DISPLAYED.
- THE LCD DISPLAY SUPPORT ENGLISH LANGUAGE ONLY
- TITLE SEARCH IS NOT APPLICABLE FOR USB/SD/MMC CARD MODE

MP3 TRACK FORMAT REQUIREMENT:-

- BIT RATE : 32 KBPS~320KBPS, SAMPLING RATE : 32KHZ, 44.1KHZ AND 48 KHZ DECODABLE
- THE PERFORMANCE OF PLAYING MP3 DISC IS VARIOUS FROM THE QUALITY OF RECORDING DISC AND THE METHOD OF RECORDING. FURTHERMORE, THE SEARCHING LEAD-TIME FOR MP3-CD IS LONGER THAN NORMAL CD DUE TO DIFFERENCE FORMAT.

● **REPEAT MODE (BY REMOTE HANDSET)**

PRESS THE REPEAT BUTTON BEFORE OR DURING PLAY, A SINGLE TRACK, SINGLE ALBUM (MP3 ONLY) OR ALL THE TRACKS CAN BE REPEATED. EACH PRESS SWITCH THE REPEAT MODE AS FOLLOW:-

FOR CD

(1) REPEAT 1 → (2) REPEAT ALL → (3) REPEAT OFF



REPEAT MODE	REPEAT INDICATOR ON LCD DISPLAY
REPEAT TRACK	REPEAT
REPEAT ALL	REPEAT ALL
REPEAT OFF	-----

FOR MP3 DISC

(1) REPEAT 1 → (2) REPEAT ALL → (3) REPEAT ALBUM → (4) REPEAT OFF



REPEAT MODE	REPEAT INDICATOR ON LCD DISPLAY
REPEAT SINGLE TRACK	REPEAT
REPEAT ALL TRACKS	REPEAT ALL
REPEAT CURRENT ALBUM	REPEAT ALBUM
REPEAT OFF	-----

● **RANDOM PLAY (BY REMOTE CONTROL)**

YOU CAN LISTEN ALL THE TRACKS IN A RANDOM ORDER BY THIS FUNCTION

1. PRESS "RANDOM" BUTTON AND RANDOM INDICATOR LIGHT UP ON THE LCD DISPLAY (1).
2. THE CD/MP3 DISC WILL START PLAYBACK IN RANDOM ORDER.
3. PRESS "RANDOM" BUTTON AGAIN TO CANCEL RANDOM MODE.

● **INTRO PLAY (BY REMOTE CONTROL)**

YOU CAN LISTEN THE BEGINNING (10 SECONDS) OF EACH TRACK IN A CD BY THIS FUNCTION & SAVING YOUR TIME TO SEARCH THE DESIRE SONG

1. PRESS "INTRO" BUTTON AFTER PLACING A CD INSIDE THE UNIT AT CD MODE
2. SYSTEM START PLAYING THE FIRST 10 SECONDS OF EACH TRACK OF THE ENTIRE CD CONTINUOUSLY.
3. PRESS "INTRO" BUTTON ONCE AGAIN IF IT REACH YOUR DESIRED TRACK FOR NORMAL PLAYBACK.

CD DISC PROGRAMMING

UP TO 64 TACKS CAN BE PROGRAMMED FOR DISC PLAY IN ANY ORDER. BEFORE USE, BE SURE TO PRESS THE CD " STOP " BUTTON (3)

1. SET IN CD MODE & STOP THE CD PLAYBACK.
2. PRESS THE "MEM/CLK-ADJ" BUTTON (4) , MEMORY WILL APPEAR ON LCD DISPLAY (1). MOREOVER, IT WILL INDICATE PROGRAM NO. AND DIGITS FOR TRACK NO. TO BE PROGRAMMED.
3. SELECT A DESIRED TRACK BY PRESSING SKIP ►► OR ◄◄ BUTTONS (9 OR 8).
4. PRESS THE "MEM/CLK-ADJ" BUTTON (4) TO STORE THE TRACE INTO MEMORY.
5. REPEAT STEPS 3 AND 4 TO ENTER ADDITIONAL TRACKS INTO THE MEMORY IF NECESSARY.
6. WHEN ALL THE DESIRED TRACKS HAVE BEEN PROGRAMMED, PRESS CD " PLAY/PAUSE " BUTTON (2) TO PLAY THE DISC IN ASSIGNED ORDER.
7. PRESS CD "STOP" BUTTON (3) TO TERMINATE PROGRAM PLAY.

➤ DURING PROGRAM MODE, PRESS "MEM/CLK-ADJ" BUTTON (4) TO REVIEW THE TRACKS CURRENTLY PROGRAMMED.

MP3 DISC PROGRAMMING

1. FOLLOW THE SAME STEP 1 AND 2 AS CD PROGRAMMING PROCEDURE.
2. SELECT A DESIRED ALBUM NUMBER BY PRESSING SKIP►► OR ◄◄ BUTTONS (9 OR 8).
3. PRESS THE "MEM/CLK-ADJ" BUTTON (4) TO STORE THE SELECTED ALBUM INTO MEMORY, THEN PRESS SKIP►► OR ◄◄ BUTTONS (9 OR 8) AGAIN TO SELECT THE TRACK NO. TO BE PROGRAMMED.
4. REPEAT STEPS 2 AND 3 TO ENTER ADDITIONAL TRACKS INTO THE MEMORY IF NECESSARY
5. WHEN ALL THE DESIRED TRACKS HAVE BEEN PROGRAMMED, PRESS CD " PLAY/PAUSE " BUTTON (2) TO PLAY THE DISC IN THE ORDER YOU HAVE PROGRAMMED.
6. PRESS CD "STOP" BUTTON (3) TO TERMINATE PROGRAM PLAY.

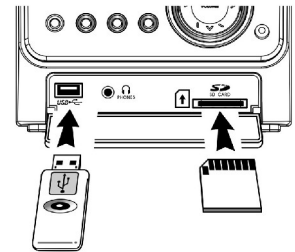
➤ THE PROGRAMMING MODEL WILL AUTOMATICALLY STOP IF NO BUTTON IS BEING PRESSED IN A PERIOD OF ABOUT 10 SECONDS AFTER PRESSING THE MEM/CLK-ADJ BUTTON (4).

PLAYBACK OF MP3 SONG VIA USB STORAGE MEDIA OR MEMORY CARD

CONNECTING

THE SYSTEM IS ABLE TO DECODE AND PLAYBACK ALL MP3 FILE WHICH STORED IN THE MEMORY MEDIA WITH USB CONNECTING PORT, MULTI-MEDIA CARD (MMC) OR SECURE DIGITAL (SD) MEMORY CARD.

1. PRESS FUNCTION BUTTON (5) TO SELECT " CARD-USB " MODE.
2. OPEN THE " USB/CARD SLOT COVER " (19)
3. PLUG-IN THE USB PLUG WITH THE FACE UP & MAKE SURE IT GOING INTO COMPLETELY OR INSERT THE MEMORY CARD IN THE DIRECTION OF THE ARROW AS SHOWN IN THE LABEL ON THE UNDERSIDE OF THE MEMORY CARD SLOT COVER. INSERT STRAIGHT WITHOUT BENDING.
- **CONNECTING THE USB / MEMORY CARD UPSIDE DOWN OR BACKWARDS COULD DAMAGE THE AUDIO SYSTEM OR THE STORAGE MEDIA (USB / MEMORY CARD). CHECK TO BE SURE THE DIRECTION IS CORRECT BEFORE CONNECTION.**
4. THE SYSTEM WILL START READING THE STORAGE MEDIA AUTOMATICALLY AFTER CONNECTING, AND LCD DISPLAY (1) WILL SHOW THE TOTAL NUMBER OF MP3 FILES AND TOTAL NUMBER OF ALBUM BEING DETECTED.
5. REPEAT THE SAME PLAYBACK PROCEDURE AS PLAYING CD/MP3 DISC AS ABOVE



REMARK

- THE SYSTEM CAN READ EITHER ONE OF THE STORAGE MEDIA ONLY. IF BOTH THE USB TYPE AND MEMORY CARD TYPE STORAGE MEDIA HAVE BEEN CONNECTED, THE SYSTEM WILL READ THE MEMORY CARD TYPE ONLY. OR THE ONE WHICH CONNECTING TO THE SYSTEM FIRST AT " CARD-USB " MODE
- THE SYSTEM CAN DETECT AND READ THE FILE UNDER MP3 FORMAT ONLY THOUGH THE USB PORT/MEMORY CARD SLOT.
- **IF CONNECT THE SYSTEM TO MP3 PLAYER VIA THE USB SOCKET, DUE TO VARIANCES IN MP3 ENCODING FORMAT, SOME MP3 PLAYER MAY NOT BE ABLE TO PLAY VIA THE USB SOCKET. IN THESE CASES PLEASE USE THE MP3 PLAYER CONNECTED TO THE AUX-IN SOCKETS AT THE REAR OF THE UNIT.**

REMOVING OF USB / MEMORY CARD

TO REMOVE THE USB / MEMORY CARD, TURN OFF THE POWER OR SWITCH THE FUNCTION MODE TO EITHER CD, AUX OR TUNER FIRST. FOR USB PORT – UN-PLUG IT BY PULLING OUT THE USB SOCKET DIRECTLY, FOR MEMORY CARD – PRESS THE MEMORY CARD INWARD & THEN RELEASE, NOW THE CARD BEING PARTIALLY EJECT AND YOU CAN REMOVE IT BY HAND.

MORE FEATURES

A. SLEEP SETTING (BY REMOTE CONTROL)

1. PRESS "SLEEP" BUTTON AND SLEEP INDICATOR SHOWN ON THE LCD (1).
2. KEEP PRESSING THE BUTTON TO ADJUST THE SLEEP TIMER IN THE ORDER OF 90 > 80 > 70....10 MINUTES.
3. SYSTEM WILL STOP AND GOTO STANDBY MODE AUTOMATICALLY AFTER THE SELECTED TIMING.
4. TO CANCEL THE SLEEP MODE, PRESS "SLEEP" BUTTON UNTIL IT REACH "0" MINUTES.

B. ALARM CLOCK SETTING (BY REMOTE CONTROL)

THIS FUNCTION ALLOWS THE SYSTEM TO TURN ON AUTOMATICALLY AND WAKE YOU UP BY SOFT MUSIC OR RADIO.

FIRST, PRESS AND HOLD THE " TIMER " BUTTON TO ENTER THE PROGRAM MODE UNTIL THE TIME IS FLASHING ON LCD DISPLAY, THEN YOU CAN START THE ALARM SETTING:-

- 1) ON TIME SETTING : PRESS THE " SKIP UP/DOWN " BUTTON TO SET THE TIME. THEN PRESS AGAIN "TIMER " BUTTON TO ENTER OFF TIMER MODE
- 2) OFF TIME SETTING : PRESS THE " SKIP UP/DOWN " BUTTON TO SET THE OFF TIMEER. THEN PRESS " TIMER " BUTTON AGAIN TO ENTER WAKE UP MODE.
- 3) WAKE UP MODE : PRESS " SKIP UP/DOWN " TO SET THE WAKE UP MODE (CD OR TUNER). THEN PRESS " TIMER " BUTTON TO ENTER THE VOLUME MODE.
- 4) VOLUME LEVEL : PRESS " SKIP UP/DOWN " BUTTON TO SET THE VOLUME LEVEL, THEN PRESS " TIMER " BUTTON AGAIN TO COMPLETE THE SETTING.

● ACTIVE/DE-ACTIVE TIMER FUNCTION

1. PRESS THE "TIMER" BUTTON ON REMOTE HANDSET, THE PRESET TIME AND THE TIMER INDICATOR " ⌚ " IS SHOWN ON LCD DISPLAY (1).
2. TO CANCEL ALARM FUNCTION BY PRESS AGAIN "TIMER" BUTTON UNTIL THE TIMER INDICATOR " ⌚ " DISAPPEAR.

REMARK

THE LCD WILL DISPLAY THE PRESETS INFORMATION (ON/OFF TIME WAKE UP MODE/VOLUME LEVEL) IN SEQUENCE EVERY TIME WHEN ACTIVE THE TIMER FUNCTION.

● **CD ALARM MODE SETTING**

1. AFTER TIME SETTING, INSERT THE SELECTED CD AND THEN SWITCH THE SYSTEM INTO STANDBY MODE.
2. ACTIVE THE TIMER BY PRESSING THE "TIMER" BUTTON ON REMOTE HANDSET UNTIL THE TIMER INDICATOR APPEARS.

● **RADIO ALARM MODE SETTING**

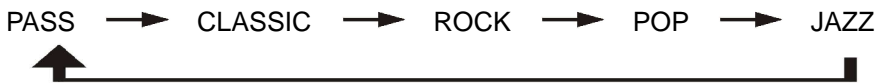
1. SET TO "TUNER" MODE & SELECT THE DESIRED RADIO STATION FOR WAKE UP PURPOSE.
2. SWITCH THE SYSTEM INTO STANDBY MODE.
3. ACTIVE THE TIMER BY PRESSING THE "TIMER" BUTTON ON REMOTE HANDSET UNTIL THE TIMER INDICATOR "⌚" APPEAR.

C. MUTE FUNCTION (BY REMOTE HANDSET)

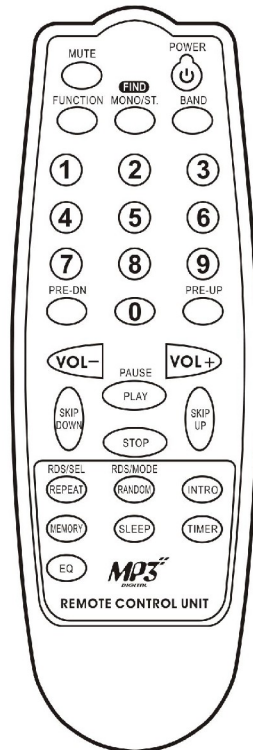
PRESS TO TERMINATE THE SOUND OUTPUT FROM SPEAKER TEMPORARILY AND PRESS AGAIN TO RESUME NORMAL PLAYBACK.

D. PRE-SET EQ FUNCTION

THIS UNIT PROVIDES 5 DIFFERENCES SOUND MODE TO ENHANCE YOUR LISTENING EXPERIENCE. YOU CAN SELECT THE DESIRED EFFECT BY PRESSING THE "EQ" BUTTON (17) REPEATEDLY AT FOLLOWING SEQUENCE:-



REMOTE CONTROL TRANSMITTER CONTROL FUNCTIONS



BATTERY INSTALLATION (BATTERY NOT PROVIDED)

THE INFRA-RED TRANSMITTER REQUIRE 2 PCS "AAA" BATTERY FOR OPERATION

BUTTON DESCRIPTION

MUTE	PRESS TO ACTIVE MUTE FUNCTION
POWER	PRESS TO SWITCH ON/STANDBY THE SYSTEM
FUNCTION	PRESS TO SELECT THE FUNCTIONS (CD/TUNER/USB/AUX))
FIND / MONO/ST.	IN MP3 MODE : PRESS TO ACTIVE TITLE/ALBUM SEARCH FUNCTION IN TUNER MODE : PRESS TO SWITCH FM MONO/STEREO SINGAL
BAND	PRESS TO SELECT THE RADIO BAND
NUMBER KEY (1 - +10)	PRESS TO SELECT THE NUMBER OF CD TRACK DIRECTLY
REP-UP/PRE-DOWN	IN MP3 MODE : PRESS TO SKIP UP/DOWN THE ALBUM NUMBER IN TUNER MODE : PRESS TO CALL OUT THE PRESET MEMORY IN ORDER
VOLUME -/+	PRESS TO ADJUST VOLUME UP/ DOWN
SKIP UP▶▶▶/DOWN◀◀◀	IN CD MODE : TO SELECT PREVIOUS / NEXT CD TRACK IN TUNER MODE : PRESS TO STEP UP/DOWN OF FREQUENCY
PLAY/PAUSE▶	IN CD MODE, PRESS ONCE TO START PLAYBACK. PRESS ONCE AGAIN TO STOP THE DISC PLAY TEMPORARILY
STOP■	PRESS TO TERMINATE CD PLAYBACK OR CANCEL PROGRAMMED CD MEMORY
RDS SEL/REPEAT	TUNER MODE : ACTIVE RDS SEARCH FUNCTION CD MODE : PRESS TO ACTIVE THE REPEAT FUNCTION FOR CD
RDS MODE/RANDOM	TUNER MODE : SELECT RDS MODE INFORMATION (PS/PTY/RT) CD MODE : PRESS TO ACTIVE THE RANDOM PLAYBACK FOR CD
INTRO	PRESS TO START THE INTRO SCAN PLAYBACK FOR CD
MEMORY	IN STANDBY MODE : PRESS AND HOLD FOR CLOCK SETTING IN CD/TUNER MODE : PRESS TO ACTIVE PROGRAM FUNCTION
SLEEP	PRESS TO ACTIVE SLEEP FUNCTION
TIMER	PRESS TO SET THE ALARM ON/OFF
EQ	PRESS TO SELECT EQ MODE FOR ENJOYMENT