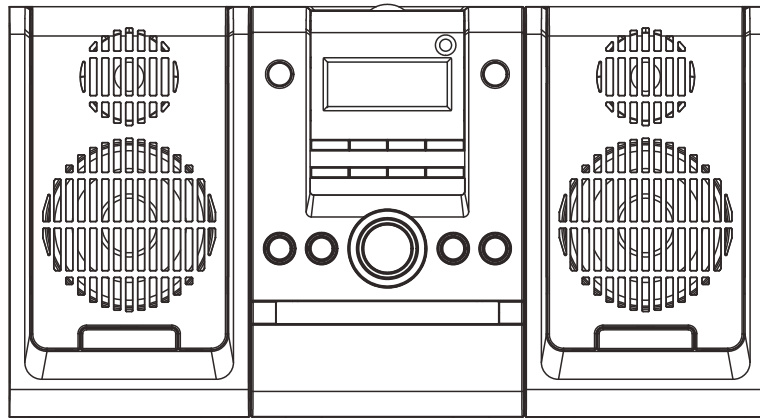


Lenco

INSTRUCTION MANUAL

CD PLAYER
WITH iPod/iPhone DOCKING &
WITH PLL FM STEREO RADIO

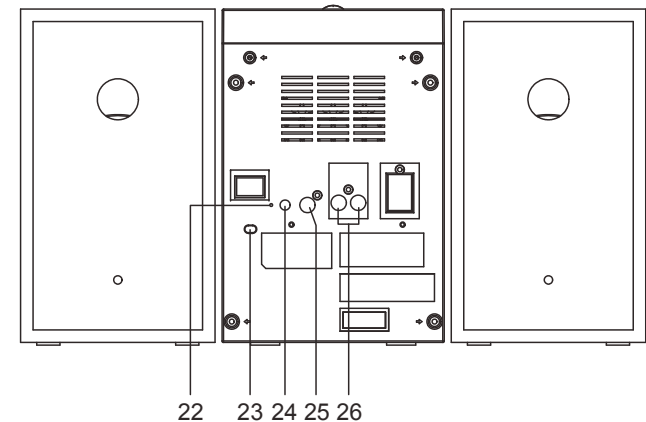
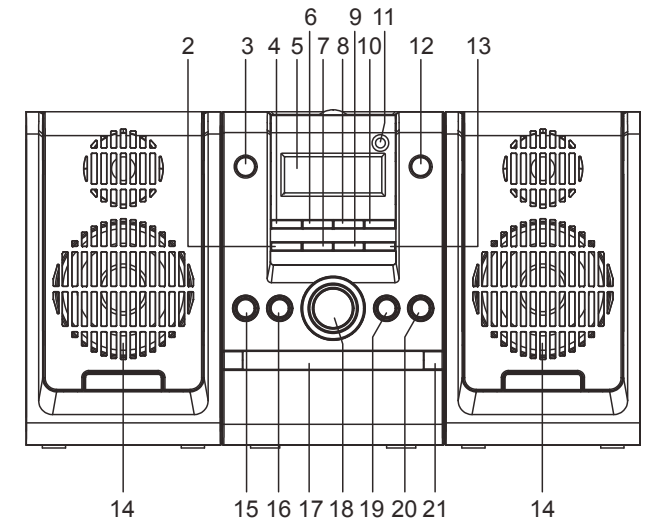
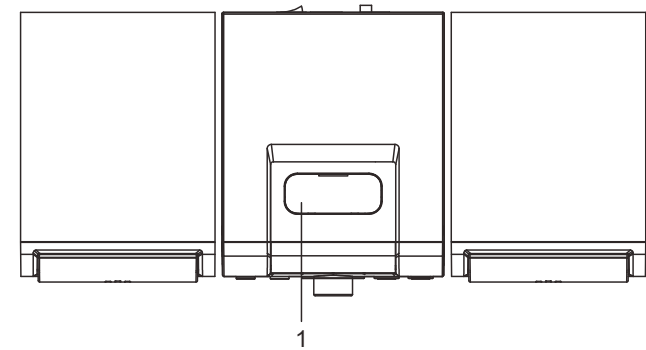
MODEL: MCI-215



Please read following instructions prior to operating your unit.

Manufacturer of this unit follows a principle of continuous improvement and has no responsibility for any changes that are made to the unit nor any liability for these changes. Thanks for your choice of our products.

For information and support, www.lenco.eu

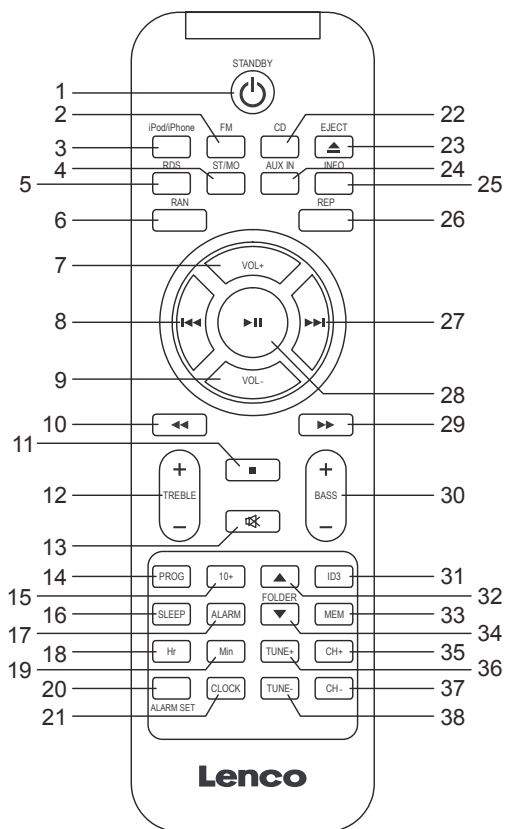


MAIN UNIT

1. iPod/iPhone DOCKING COVER
2. HR BUTTON
3. FUNCTION BUTTON
4. CLOCK BUTTON
5. LCD DISPLAY
6. MEM BUTTON
7. MIN BUTTON
8. TUNE+ BUTTON
9. TUNE- BUTTON
10. CH+ BUTTON
11. REMOTE SENSOR
12. STANDBY BUTTON
13. CH- BUTTON
14. SPEAKERS
15. PREVIOUS BUTTON
16. STOP BUTTON
17. DISC TRAY
18. VOLUME CONTROLLER
19. PLAY/PAUSE BUTTON
20. NEXT BUTTON
21. EJECT BUTTON
22. FM PIGTAIL ANTENNA
23. AC CORD
24. AUX IN JACK
25. VIDEO OUT JACK
26. RIGHT&LEFT SPEAKER JACKS

REMOTE CONTROL

1. STANDBY BUTTON
2. FM BUTTON
3. iPod/iPhone BUTTON
4. ST/MO BUTTON
5. RDS BUTTON
6. RAN BUTTON
7. VOL + BUTTON
8. PREVIOUS BUTTON
9. VOL- BUTTON
10. FAST BACKWARD BUTTON
11. STOP BUTTON
12. TREBLE +/- BUTTON
13. MUTE BUTTON
14. PROG BUTTON
15. 10+ BUTTON
16. SLEEP BUTTON
17. ALARM BUTTON
18. HR BUTTON
19. MIN BUTTON
20. ALARM SET BUTTON
21. CLOCK BUTTON
22. CD BUTTON
23. EJECT BUTTON
24. AUX IN BUTTON
25. INFO BUTTON
26. REP BUTTON
27. NEXT BUTTON
28. PLAY/PAUSE BUTTON
29. FAST FORWARD BUTTON
30. BASS +/- BUTTON
31. ID3 BUTTON
32. FOLDER UP BUTTON
33. MEM BUTTON
34. FOLDER DOWN BUTTON
35. CH+ BUTTON
36. TUNE+ BUTTON
37. CH- BUTTON
38. TUNE- BUTTON



POWER SUPPLY

Connect the AC plug to the main power.

SPEAKERS CONNECTING

Connect the left&right speakers to the unit via left&right speaker jacks.

SLEEP FUNCTION

Press SLEEP button at power on mode. Each time SLEEP button is pressed, the sleep time changes on the display. When your desired sleep time shows on the screen, release the SLEEP button. When the sleep time is expired, the unit will switch off automatically.

HOW TO SET TIME

1. Press STANDBY button to set the unit to standby mode.
2. Press CLOCK button, the time will flashes on the screen with "CLK".
3. Press HR button to adjust the hour and press MIN button to adjust the minute.
4. When the correct time shows on the screen, press CLOCK button to finish setting the clock.
5. During iPod/iPhone playback, press CLOCK button to start clock synchronization.

SETTING ALARM

1. Press STANDBY button to set the unit to standby mode.
2. Press ALARM SET button, the time will flashes on the screen with "ALARM".
3. Press HR button to adjust the hour and press MIN button to adjust the minute.
4. Press iPod/iPhone or FM or CD button on the remote or press FUNCTION button on the unit repeatedly to select the mode for waking up.
5. Finally, press ALARM SET button to finish the alarm setting.
6. At standby mode, after setting the alarm, press INFO button to check the waking up mode.
7. When the alarm wakes up, the unit will be powered on at selected mode for waking up.
8. If you want to disable the alarm, press ALARM button directly.

MUTE THE UNIT

During playback, press MUTE button to switch off the audio. Press the button again to resume the audio.

TREBLE/BASS EFFECT ADJUSTING

During playback, press TREBLE+/- button or press BASS+/- button to adjust the effect of treble/bass respectively.

VOLUME LEVEL

During playback, rotate the VOLUME CONTROLLER or press VOL+/- button to adjust the volume level accordingly.

iPod/iPhone OPERATING

PLAYING AN iPod/iPhone

1. Remove the iPod/iPhone docking cover, and then dock an iPod/iPhone onto the unit.
2. Press STANDBY button to turn the unit on.
3. Press the FUNCTION button on the unit continuously or press iPod/iPhone button on the remote to toggle the unit to IPOD mode. The unit will play the iPod/iPhone automatically.
4. Press PLAY/PAUSE button to pause and start the iPod/iPhone playback.
5. During playback, Press NEXT button to skip to the next track/chapter; press PREVIOUS button to play the current track from the beginning again, press the button twice to skip to the previous track/chapter.

Press and hold FAST FORWARD or FAST BACKWARD button on the remote to search through the current track/chapter forward or backward at a high speed.

6. Press RAN button to enable or disable random playback.
7. Press REP button repeatedly to repeat a single track/chapter, repeat all tracks/chapters or disable the repeat function.
8. Use STOP button to cease the iPod/iPhone playback.

NOTE: During playback, the connected iPod/iPhone may skip to another song accidentally. Once the problem occurs, please set the iPod/iPhone to shake off.

FM RADIO

TUNING THE FM RADIO

1. Press STANDBY button to turn the unit on.
2. Press FUNCTION button on the unit repeatedly or press FM button on the remote to switch the unit to radio mode.
3. Press TUNE+/- button to fine tune the radio station. Press and hold TUNE+/- button to automatically tune the radio frequency forward and backward respectively. When an available station is found, the unit will broadcast it immediately.
4. Press ST/MO button on the remote to switch the radio between FM(MONO) and FM(ST).
5. Press RDS button to enable or disable the RDS function. If the unit broadcast a program with RDS, the RDS icon will be shown on the LCD display.

SAVING FM RADIO STATIONS TO THE UNIT'S MEMORY

1. After tuning the FM radio to the desired stations, press MEM button, a number of a memory cell flashes on the screen.
2. Press CH+/ CH- button to select the radio memory cell.
3. Press MEM button again to save the current radio station to the selected memory cell.
4. To recall the preset station frequency, press CH+ or CH- button repeatedly.

DISC PLAYBACK

LOAD A DISC

1. Press FUNCTION button on the unit repeatedly or press CD button on the remote to toggle to CD mode.
2. Open the disc tray by pressing EJECT button.
3. Load a disc on the disc tray with the label side facing up.
4. Press EJECT button to close the disc tray.

PLAY A CD DISC

1. Follow the steps above to load a CD disc.
2. The player begins reading disc immediately.
3. When the disc is read successfully, total number of tracks and the total playtime of the CD show in the LCD, then playback starts from the first track.
4. Press Play/Pause button once to halt music playback, the elapsed time flashes to indicate the player in Pause mode; press Stop button to cease music playback, the LCD shows the total number of the tracks and the total time.
5. Press REP button repeatedly to repeat a single track, repeat all tracks or disable the repeat function.
6. Press RAN button to enable or disable random playback.
7. During playback, press INFO button once to check the remain time of the current track; press the button twice to check the elapsed time of the current disc; press the button the third times to check the remain time of the current disc; press the button the fourth times to resume normal display.

MP3-CD PLAYBACK

1. Following the instructions to load the MP3 disc.
2. After an MP3-CD is successfully read, the total number of the folders and tracks shows in the LCD. And then, playback begins from the first track of the first folder.
3. Press Play/Pause button once to halt music playback; press Stop button to cease music playback.
4. Press FOLDER UP/DOWN button to select the desired folder.
5. Press REP button repeatedly to repeat a single track, repeat the current folder, repeat all tracks or disable the repeat function.
6. Press RAN button to enable or disable random playback.
7. Press ID3 button to enable or disable the ID3 function. The LCD will show the corresponding information of the current track at ID3 on mode.
8. During playback, press INFO button to check the remain time of the current track under the ID3 is off.

SKIP TRACKS AND SEARCH FOR A SPECIFIC POINT TO PLAY (CD/MP3)

1. During normal playback, Press NEXT button to skip to the next track; press PREVIOUS button to play the current track from the beginning again, press the button twice to skip to the previous track.
2. Press and hold FAST FORWARD or FAST BACKWARD button on the remote to search through the current track forward or backward at a high speed.
3. Press 10+ button once in play to skip to the track 10 tracks ahead, twice to skip to the track 20 tracks ahead. You can reach the last track of the disc using this button.

PROGRAMMED PLAY (CD/MP3)

1. At disc play stop mode, press PROG button on the remote, a track number blinks on the screen with a program sequence number.
2. Select the desired track to be programmed using PREVIOUS/NEXT button or 10+ button.
3. Press PROG button to confirm.
4. Repeat the above steps to program more tracks. A maximum of 20 tracks for CD and 99 tracks for MP3 can be programmed in memory in a preferred order.
5. In program play mode, press STOP button twice to exit program playback mode.

AUX IN

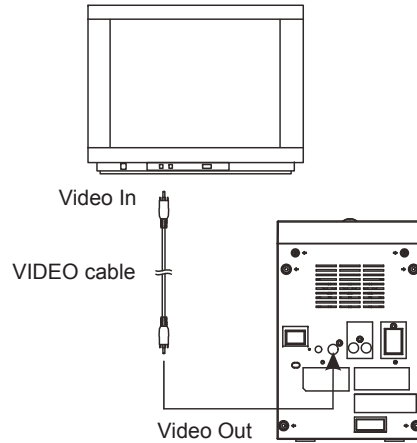
Follow below steps to connect the unit to another audio device like MP3 player and the like:

1. Connect the Audio Out of the device to AUX IN jack with audio cable.
2. Press STANDBY button to turn the unit on.
3. Press FUNCTION button on the unit repeatedly or press AUX IN button on the remote to switch the unit to AUX mode.
4. Power on the device and begin playback.

VIDEO OUTPUT

1. Dock the iPod/iPhone to the unit.
 2. Connect a RCA cable to the Video Out on the unit and Video In on a television.
 3. Power on the TV set and the unit. Press FUNCTION button on the unit repeatedly or iPod/iPhone button on the remote to switch to iPod mode.
 4. Adjust the connected television to the proper input setting.
 5. Video from a docked iPhone/iPod can now be played through the unit to the connected television.
- Note: Make sure the docked iPhone or iPod's TV out option is turned on.

CONNECTING ILLUSTRATION



DISC HANDLING PRECAUTIONS



- Hold the disc by the edge so the surface will not be soiled with finger prints. Finger prints, dirt and scratches can cause skipping and distortion.
- Do not write on the label side with a ball-point pen or other writing utensils.
- Do not apply benzine, thinner, and liquid that prevents against static electricity.
- Be careful not to drop or bend the disc.
- Install only one disc on the disc tray.
- Do not try to close the disc tray when the disc is not installed properly.
- Be sure to store the disc in its case when not in use.

IMPORTANT SAFETY INSTRUCTIONS

- The apparatus shall not be exposed to dripping or splashing and that no objects filled with liquids, such as vases, shall be placed on the apparatus.
- When the mains plug or an appliance coupler is used as the disconnect device, the disconnect device shall remain readily operable. To be completely disconnected the power input, the mains plug of the apparatus or the appliance coupler shall be disconnected from the mains completely.
- No naked flame sources, such as lighted candles, should be placed on the apparatus.
- Minimum distances 2.0cm around the apparatus for sufficient ventilation. The ventilation should not be impeded by covering the ventilation openings with items, such as newspapers, table-cloths, curtains, etc.
- The use of apparatus is in tropical and/or moderate climates.
- Attention should be drawn to the environmental aspects of battery disposal.
- CAUTION: Danger of explosion if battery is incorrectly replaced. Replace only with the same or equivalent type.
- Battery shall not be exposed to excessive heat such as sunshine, fire or the like.
- The marking plate is located at the back of the apparatus.

SPECIFICATIONS:

Power source: AC 100-240V 50/60Hz
Power consumption: 30W
Remote control: CR2025
Receiving bands: FM 87.5 -108 MHz
Dimensions: 442(L) x 194(W) x 242(H) mm
Operating Humidity Range: 10 % to 75 %



If at any time in the future you should need to dispose of this product please note that: Waste electrical products should not be disposed of with household waste. Please recycle where facilities exist. Check with your Local Authority or retailer for recycling advice. (Waste Electrical and Electronic Equipment Directive)